

CF-8
Precision Axial Lead Former

Bills of Material & Exploded Views

Version 2.3
September 20, 1996

Prepared by
GPD Documentation Department

Copyright (C) 1992, 1996 General Production Devices
All Rights Reserved

General Production Devices
2322 I-70 Frontage Road
Grand Junction, CO 81505
(970) 245-0408 FAX (970) 245-9674
1-800-742-5473 (USA & CANADA)

Revisions

Version 2.3 release. All pages dated 09/20/96

Version 2.2 release. All pages dated 02/03/92.

Version 2.1 release. All pages dated 08/30/91.

Version 2.0 release. All pages dated 12/01/90.

Table of Contents

<u>Bill of Material Description</u>	<u>Drawing no.</u>	<u>Page</u>
CF-8 General Parts	CF-8 General Assembly (1 of 3) CF-8 General Assembly (2 of 3) CF-8 General Assembly (3 of 3)	1
Roller Support Assembly	801-1-100	7
Slide Assembly	801-1-200	9
Clamp Support Assembly	801-1-201	11
Wire Clamp w/Red Insert	801-1-9	13
Bending Die Block Assembly Station 7	801-3-100	15
Bending Die Block Assembly Station 7 Metric	801-3-100-MET	17
Bending Die Block Assembly Station 6	801-3-101	19
Bending Die Block Assembly Station 6 Metric	801-3-101-MET	21
Die Holder Assembly Station 5	802-1-100	23
Die Holder Assembly Station 4	802-1-101	25
Die Block Assembly Station 5	802-3-102	27
Die Block Assembly Station 5 Metric	802-3-102-MET	29
Die Block Assembly Station 4	802-3-103	31
Die Block Assembly Station 4 Metric	802-3-103-MET	33
Shaft - Main Shaft Assembly	803-1-100	35
Collar Assembly -- Cutting Wheels	803-1-110	37
Eccentric Shaft Assembly	804-1-104	39
Cam Follower Assembly	807-1-105	41
Keyed Pulley Assembly	807-3-106	43

Eccentric Shaft Assembly	808-3-107	45
Knifeholder Left Assembly	809-3-100	47
Knifeholder Right Assembly	809-3-200	49
Infeed Block Assembly	809-4-200	51
120V 50/60HZ Control Unit	810-9-34	53
230V 50HZ Control Unit	810-9-35	55
100V 50HZ Control Unit	810-9-36	57
Counter Box 4&5, 6&7 Assembly	813-1-108	59
Counter Box 4&5, 6&7 Metric Assembly	813-1-108-MET	61
Dual Infeed Chute Assembly	816-2-100	63
Transport Wheel System Small	817-1-200	65
Transport Wheel System Small w/Pads	817-1-200-RUB	67
Transport Wheel System Med.	817-1-210	69
Transport Wheel System Med. w/Pads	817-1-210-RUB	71
Transport Wheel System Lg	817-1-220.	73
Transport Wheel System Lg. w/Pads	817-1-220-RUB	75
Sideplate Assembly, Left	818-1-100	77
Sideplate Assembly, Right	818-1-200	79
Magnet Assembly	818-1-300	81
Infeed Block Bracket (Right) Assembly	818-1-400	83
Infeed Block Bracket (Left) Assembly	818-1-500	85
Infeed Bracket Shaft Assembly	818-1-600	87
CF8 Counter Bracket Assembly	821-1-100	89

Transport Wheels Alignment Tool	821-2-100	91
Counter Box 2&3 Assembly	825-1-114	93
Counter Box 2&3 Metric Assembly	825-1-114-MET	95
120V 60HZ CF8 Spare Parts Kit	830-1-500	97
230V 50HZ CF8 Metric Spare Parts Kit	830-1-510	99
100V 50HZ CF8 Metric Spare Parts Kit	830-1-520	101
230V 50HZ CF8 Spare Parts Kit	830-1-530	103
120V 50/60HZ CF8 Counter Package	830-1-600	105
230V 50HZ CF8 Counter Package	830-1-610	107
CF8 Secondary Exit Package	830-700	109
CF8 Secondary Exit Option	830-705	111
CF8 Antistatic Shield Package	830-1-720	113
Reel Holder Assembly	707-107	115

BOM15 Bill of Material for Assembly CF8.GENERAL
CF-8 General Parts

Effective As of: 06-01-96

ITEM	1...5...10	PART#.....	DESCRIPTION.....	QTY
1	1.....	802-1-2	SLIDE ROD	4 EA
2	1.....	802-1-12	WASHER	5 EA
3	1.....	802-1-12A	WASHER	1 EA
4	1.....	803-1-12	MAIN SHAFT DRIVE GEAR	1 EA
5	1.....	803-1-13	SPACER	1 EA
6		NOT APPLICABLE		
7		NOT APPLICABLE		
8	1.....	803-1-2	CUTTING WHEELS	2 EA
9	1.....	803-1-3	HUB	2 EA
10		NOT APPLICABLE		
11		NOT APPLICABLE		
12	1.....	804-1-6	COLLAR	2 EA
13	1.....	804-1-8A	PULLEY	1 EA
14	1.....	806-1-2	CAM	1 EA
15	1.....	807-1-1	MAIN DRIVE SHAFT	1 EA
16	1.....	807-1-2	IDLER SHAFT	1 EA
17	1.....	SACAN3118050	SCREW,ALLEN,CAP	AR EA
18	1.....	807-1-4A	PULLEY 19L050	1 EA
19	1.....	808-1-4	WASHER, .591-.593IDX.8750D	6 EA
20	1.....	808-1-5A	PULLEY 17L050	1 EA
21	1.....	808-1-6A	PULLEY 19L050	1 EA
22	1.....	809-4-19	INFEED SUPPORT ROD	1 EA
23	1.....	809-4-19A	INFEED SUPPORT ROD	1 EA
24	1.....	DA12100	PIN,DOWEL	AR EA
25	1.....	809-4-22	ROD ADJ	1 EA
26	1.....	809-4-23	BOLT	1 EA
27	1.....	809-4-24	NUT MODIFIED	1 EA
28	1.....	809-4-7	SUPPORT ROD	2 EA
29	1.....	N.S.S.	UPRIGHT	1 EA
30	1.....	810-3-1	REAR BEARING SUPPORT	1 EA
31	1.....	810-3-2	TIE BAR	4 EA
32	1.....	810-4-1	CABINET	1 EA
33	1.....	810-4-2	MICROSWITCH BRACKET	1 EA
34	1.....	810-4-2A	MICROSWITCH BRACKET	1 EA
35	1.....	810-4-3	MICROSWITCH BRACKET	2 EA
36	1.....	810-5-1	BASE	1 EA
37	1.....	810-5-3	MOTOR PULLEY	1 EA
38	1.....	810-6-5	STUD	2 EA
39	1.....	810-7-2	TIE BAR	3 EA
40	1.....	810-8-1	FRONT PLATE SUPPORT	1 EA
41	1.....	813-1-5	KNOB ADJUSTMENT	1 EA
42	1.....	817-1-1	SQUARE SHAFT	1 EA
43	1.....	817-1-10	NYLATRON SPACER	2 EA
44	1.....	817-1-11	EJECTOR SHAFT	1 EA
45	1.....	817-1-13	COLLAR	1 EA
46	1.....	817-1-12S	SMALL EJECTOR BLADE	1 EA
47	1.....	817-1-5	NYLATRON SPACER	2 EA
48	1.....	817-1-6	WHEEL GEAR	1 EA

N.S.S. = NOT SOLD SEPARATELY

BOM15 Bill of Material for Assembly CF8.GENERAL
CF-8 General Parts

Effective As of: 06-01-96

ITEM	1...5...10	PART#.....	DESCRIPTION.....	QTY
49	1.....	817-1-7	IDLER GEAR	1 EA
50	1.....	817-1-8	IDLER SHAFT	1 EA
51	1.....	817-1-9	IDLER BRACKET	1 EA
52	1.....	819-1-5	HINGE, SAFETY GUARD	1 EA
53	1.....	HG-210	HINGE, SAFETY GUARD	3 EA
54	1.....	NK-250	KNOB NEURAL	2 EA
55	NOT APPLICABLE			
56	NOT APPLICABLE			
57	1.....	B0001	BEARING 6002LLB	9 EA
58	1.....	B0002	BEARING	2 EA
59	1.....	B0003	BEARING	1 EA
60	1.....	B8001	STEEL BALL	3 EA
61	1.....	B8002	STEEL BALL	4 EA
62	1.....	D1505	COLLAR 5/8" CLAMP	1 EA
63	1.....	D0002	TIMING BELT	1 EA
64	1.....	D0003	TIMING BELT	1 EA
65	1.....	D0006	MOTOR BELT	1 EA
66	1.....	NSNA0632	NUT	AR EA
67	1.....	SACAN0632037	SCREW,ALLEN,CAP	AR EA
68	1.....	SACAN0632087	SCREW,ALLEN,CAP	AR EA
69	1.....	SABAN0632025	SCREW,ALLEN,BUTTON	AR EA
70	1.....	SPRAN0632037	SCR.P.RD.STL.	AR EA
71	1.....	SABAN0832037	SCREW,ALLEN,BUTTON	AR EA
72	1.....	TACAN0832018	SET.A.CU.STL.	AR EA
73	1.....	TACAN0832025	SET.A.CU.STL.	AR EA
74	1.....	NSNA1032	NUT	AR EA
75	1.....	SACAN1032050	SCREW,ALLEN,CAP	AR EA
76	1.....	SACAN1032125	SCREW,ALLEN,CAP	AR EA
77	1.....	SABAN1032037	SCREW,ALLEN,BUTTON	AR EA
78	1.....	SABAN1032050	SCREW,ALLEN,BUTTON	AR EA
79	1.....	TACAN1032025	SET.A.CU.STL.	AR EA
80	1.....	TAPAN1032025	SET.A.PT.STL.	AR EA
81	1.....	NSIA2520	NUT,NYLON INSERT	AR EA
82	1.....	F4552	WASHER FLAT	AR EA
83	1.....	SACAN2520037	SCREW,ALLEN,CAP	AR EA
84	1.....	SACAN2520050	SCREW,ALLEN,CAP	AR EA
85	1.....	SACAN2520062	SCREW,ALLEN,CAP	AR EA
86	1.....	SACAN2520075	SCREW,ALLEN,CAP	AR EA
87	1.....	SACAN2520087	SCREW,ALLEN,CAP	AR EA
88	1.....	SACAN2520125	SCREW,ALLEN,CAP	AR EA
89	1.....	SACAN2520200	SCREW,ALLEN,CAP	AR EA
90	1.....	SHHAN3716100	SCR.H.HX.STL.	AR EA
91	1.....	F5954	HEALI COIL	1 EA
92	1.....	RPAS09075	PIN,ROLL	AR EA
93	1.....	RPAS12075	PIN,ROLL	AR EA
94	1.....	DA12050	PIN,DOWEL	AR EA
95	1.....	G3009	WOODRUFF KEY 404	AR EA
96	1.....	G3013	WOODRUFF KEY 605	AR EA

N.S.S. = NOT SOLD SEPARATELY

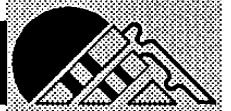
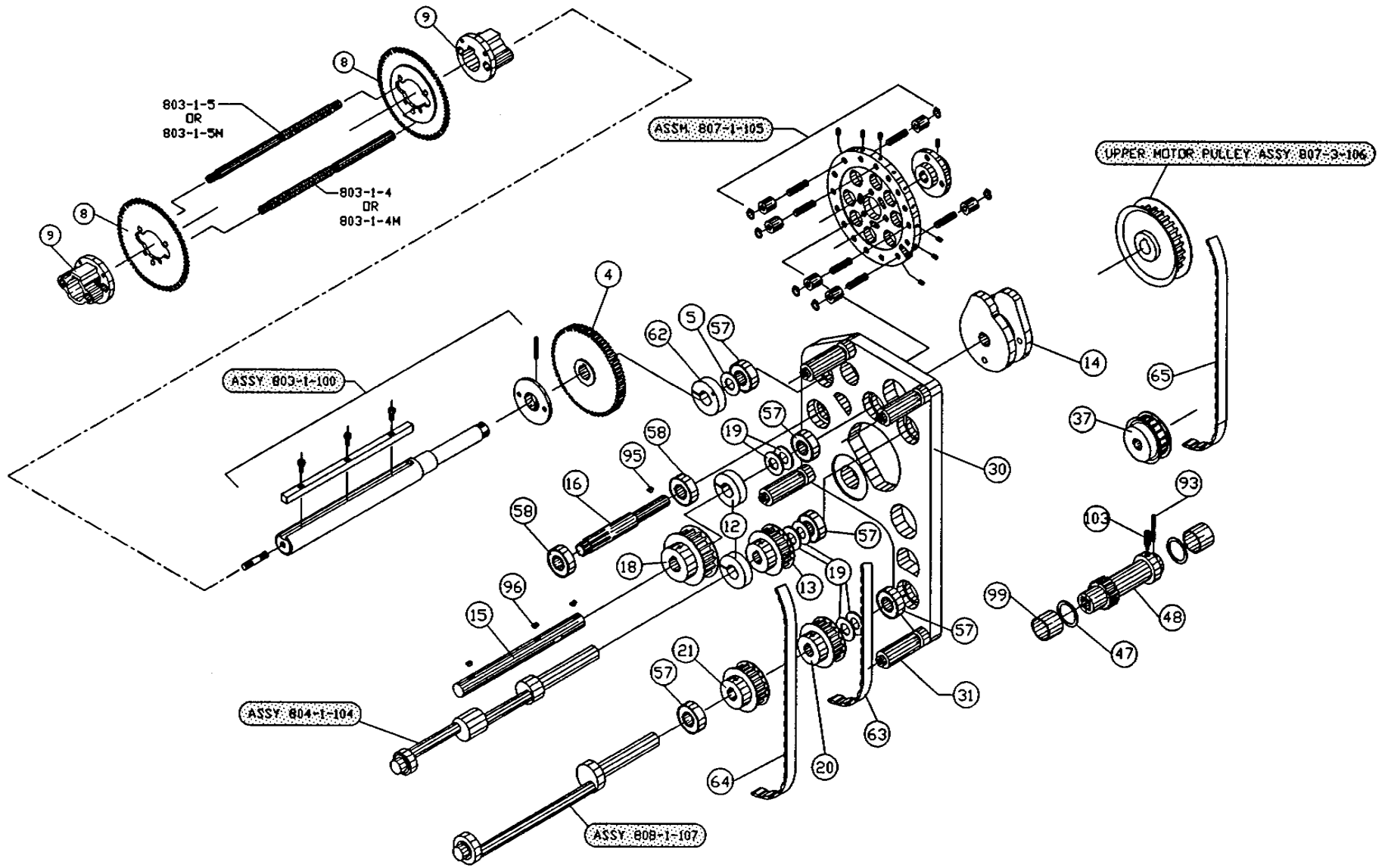
BOM15 Bill of Material for Assembly CF8.GENERAL
CF-8 General Parts

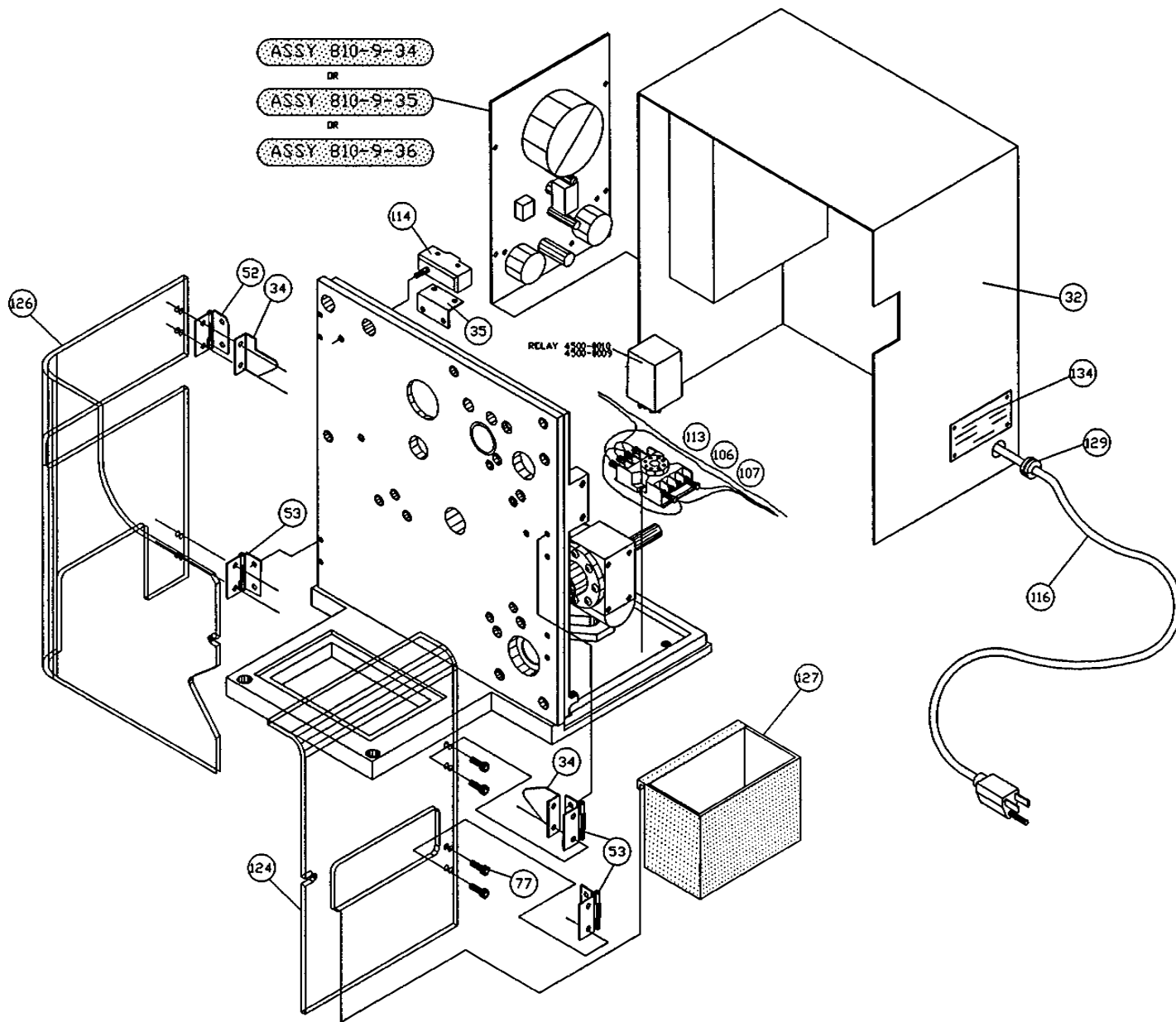
Effective As of: 06-01-96

ITEM	1...5...10	PART#.....	DESCRIPTION.....	QTY
97	1.....	L0303	BRONZE BEARING	5 EA
98	1.....	L0504	BRONZE BEARING	1 EA
99	1.....	L1301	BUSHING	2 EA
100	1.....	L2001	BUSHING	1 EA
101	1.....	S0001	SPRING	1 EA
102	1.....	S4003	WASHER	AR EA
103	1.....	S5101	SPRING PLUNGER BH54	1 EA
104	1.....	2100-0121	CONNECTOR, TERMINAL	AR EA
105	1.....	2100-0123	CONNECTOR, TERMINAL	AR EA
106	1.....	2100-0122	CONNECTOR, TERMINAL	AR EA
107	1.....	2800-0028	WIRE TIES	18 EA
108	1.....	2800-0029	STICK DOWN PADS 1/2"	AR EA
109	1.....	3100-0004	HARDWARE ELECTRICAL	AR IN
110	1.....	3100-0005	HARDWARE ELECTRICAL	AR IN
111	1.....	3100-0006	HARDWARE ELECTRICAL	AR IN
112	1.....	3100-0008	HARDWARE ELECTRICAL	AR IN
113	1.....	4500-0008	SOCKET, RELAY	1 EA
114	1.....	5100-0028	SWITCH, LIMIT	2 EA
115	1.....	6000-0012	SHIELD CABLE TEFLON	AR IN
116	1.....	6000-0000	POWER CORD 6'7"	1 EA
117	1.....	6000-18-PV-GR	WIRE GREEN #18	AR IN
118	1.....	6000-20-PV-BLK	WIRE BLACK #20	AR IN
119	1.....	6000-20-PV-BLU	WIRE BLUE #20	AR IN
120	1.....	6000-20-HU-BRN	WIRE, 20AWG HOOKUP/BROWN	AR IN
121	1.....	6000-20-HU-RED	WIRE, 20AWG HOOKUP/RED	AR IN
122	1.....	6000-20-HU-YEL	WIRE, 20AWG HOOKUP/YELLOW	AR IN
123	NOT APPLICABLE			
124	1.....	819-1-1EA	ANTISTATIC SAFETY SHIELD	1 EA
125	1.....	810-6-6	SCRAP BIN	1 EA
126	1.....	819-1-3EA	ANTISTATIC SAFETY SHIELD	1 EA
127	1.....	701-EA	COMPONENT BIN ANTI STATIC	1 EA
128	NOT APPLICABLE			
129	1.....	2800-0024	STRAIN RELIEF	1 EA
130	1.....	707-B	THUMB SCREW	1 EA
131	1.....	801-1-16R	NUT ADJ (R)	1 EA
132	1.....	801-1-16L	NUT ADJ (L)	1 EA
133	1.....	IP009	INSPECTION FORM, CF-8	1 EA
134	1.....	2400-0012	DATA PLATE	1 EA

** 810-9-44 MOTOR 110V
810-9-45 MOTOR 220V
810-9-46 MOTOR 100V

N.S.S. = NOT SOLD SEPARATELY





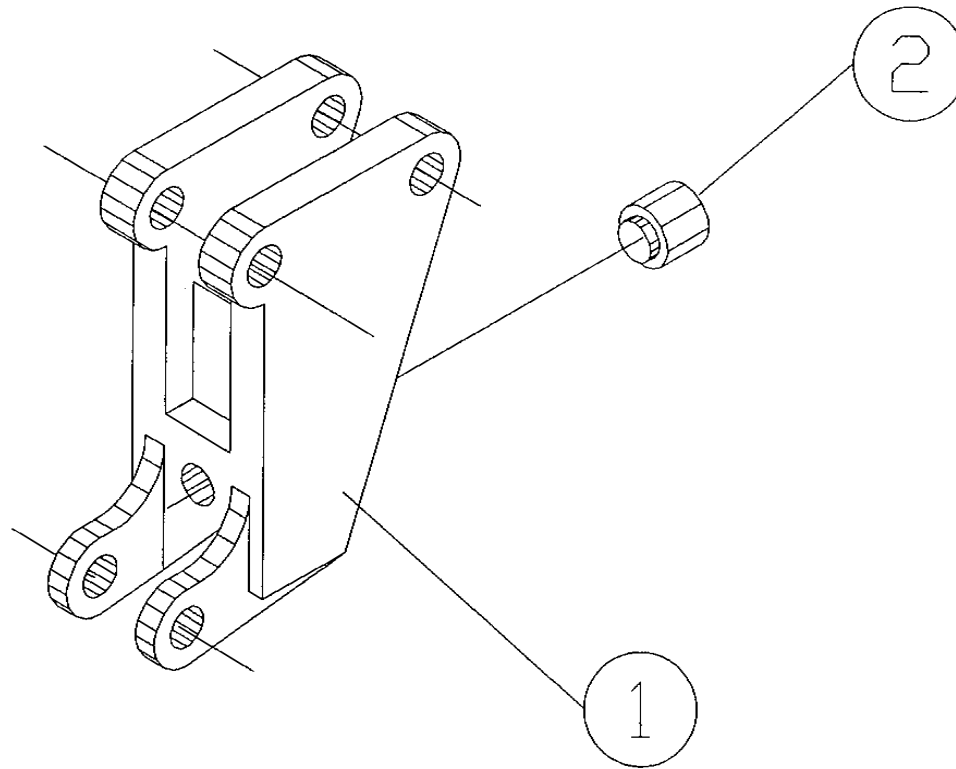
BOM15

Bill of Material for Assembly 801-1-100
Roller Support Assembly

Revision :A Revision Date: 04-01-89 Effective As of: 08-10-91

ITEM	1...5...10	PART#.....	DESCRIPTION.....	QTY
1	1.....	N.S.S.	ROLLER SUPPORT	1 EA
2	1.....	N.S.S.	PLUNGER REST	1 EA

N.S.S. = NOT SOLD SEPARATELY



BOM15

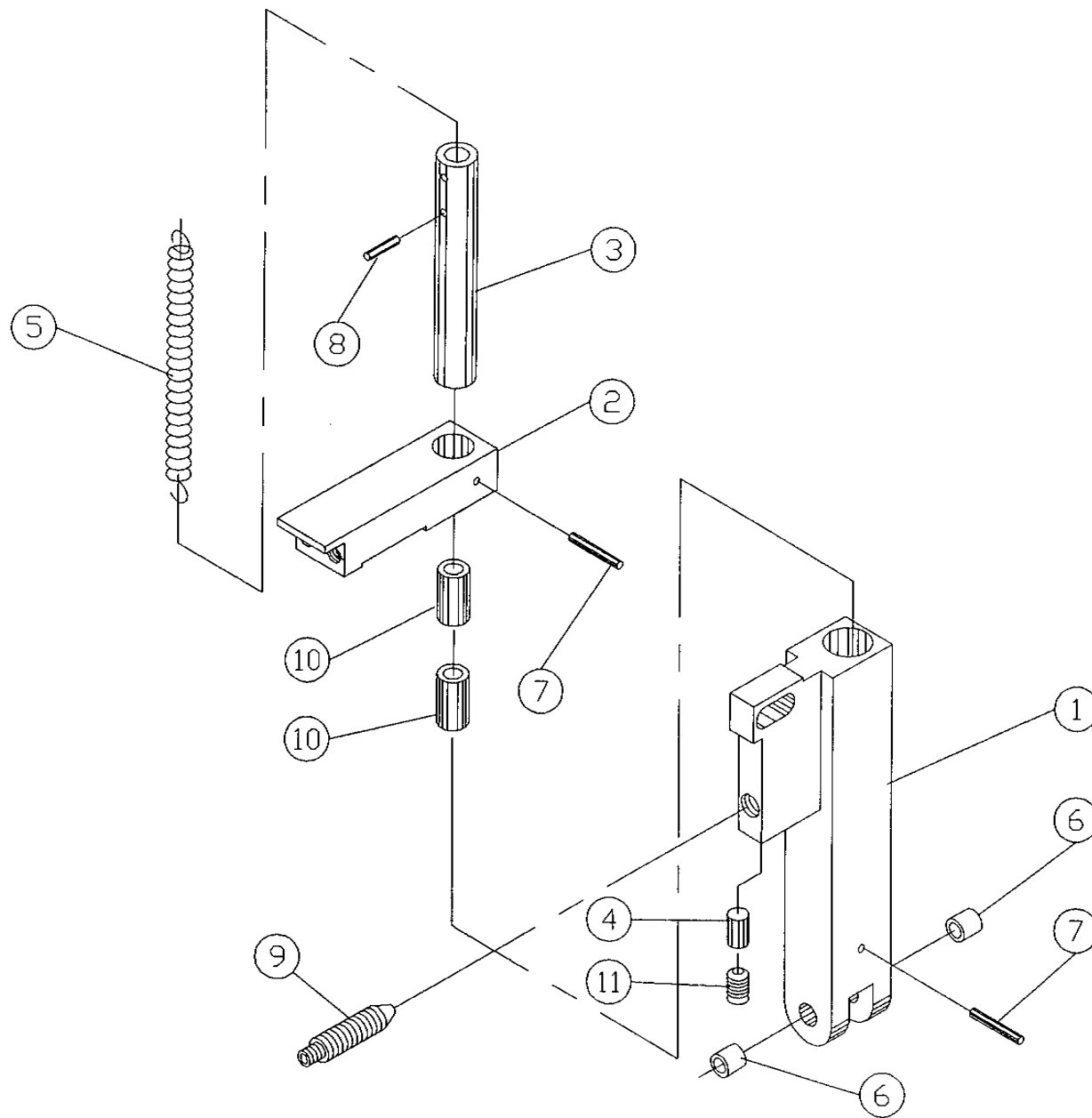
Bill of Material for Assembly 801-1-200

Slide Assembly

Revision :A Revision Date: 04-01-89 Effective As of: 08-10-91

ITEM	1...5...10	PART#.....	DESCRIPTION.....	QTY
1	1.....	N.S.S.	SLIDE	1 EA
2	1.....	N.S.S.	CLAMP SUPPORT	1 EA
3	1.....	N.S.S.	SPRING BUSHING	1 EA
4	1.....	813-1-9	PLUG BRASS	1 EA
5	1.....	S2002	SPRING	1 EA
6	1.....	L0001	BUSHING	2 EA
7	1.....	RPAS06050	PIN,ROLL	AR EA
8	1.....	RPAS06031	PIN,ROLL	AR EA
9	1.....	S5003	SPRING PLUNGER S52P	1 EA
10	1.....	L0403	BUSHING	2 EA
11	1.....	TACAN0832012	SET.A.CU.STL.	AR EA

N.S.S. = NOT SOLD SEPARATELY



GPD

Slide Assembly No. 801-1-200



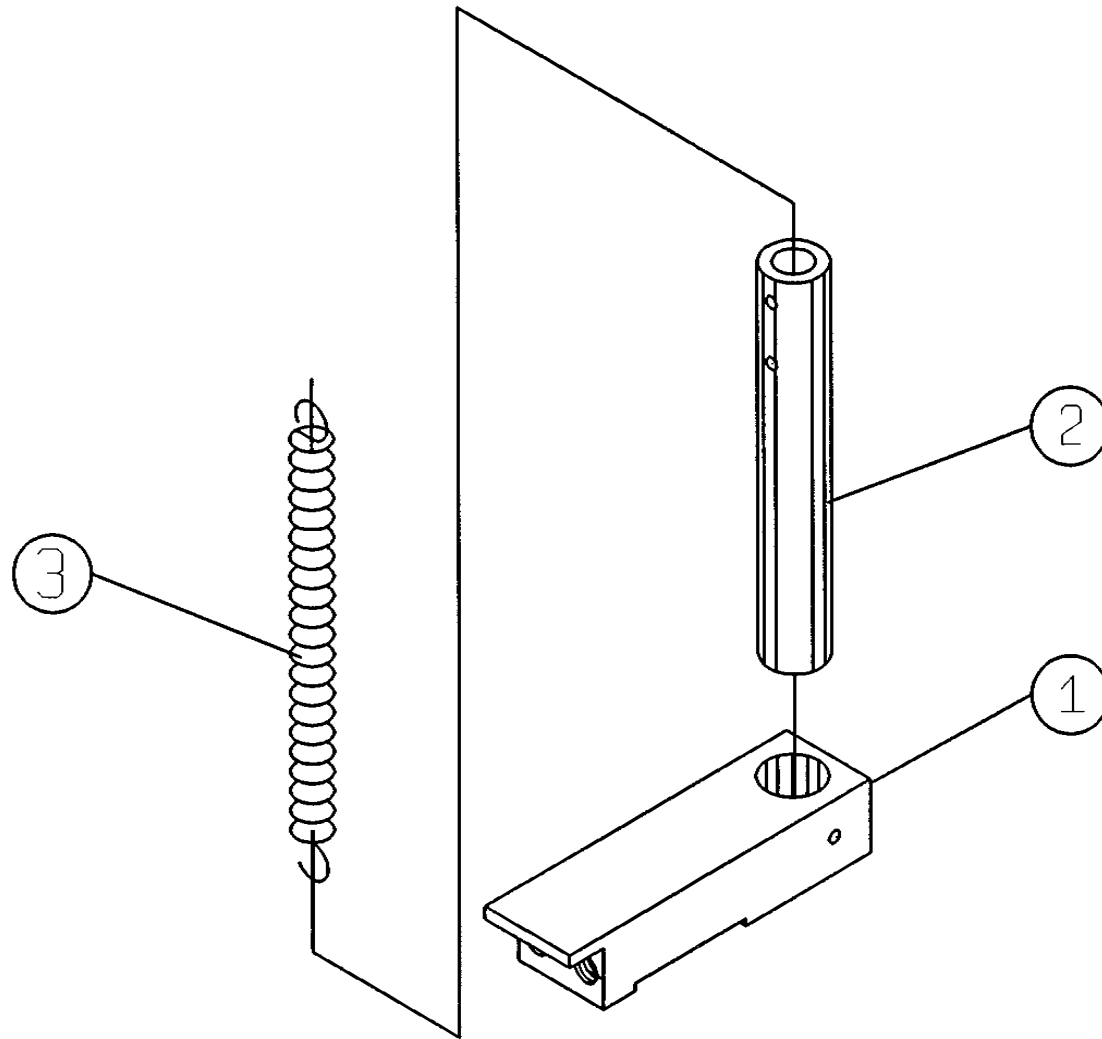
BOM15

Bill of Material for Assembly 801-1-201
Clamp Support Assembly

Revision :A Revision Date: 09-20-96 Effective As of: 09-20-96

ITEM	1...5...10	PART#.....	DESCRIPTION.....	QTY
1	1.....	N.S.S.	CLAMP SUPPORT	1 EA
2	1.....	N.S.S.	SPRING BUSHING	1 EA
3	1.....	S2002	SPRING	1 EA

N.S.S. = NOT SOLD SEPARATELY

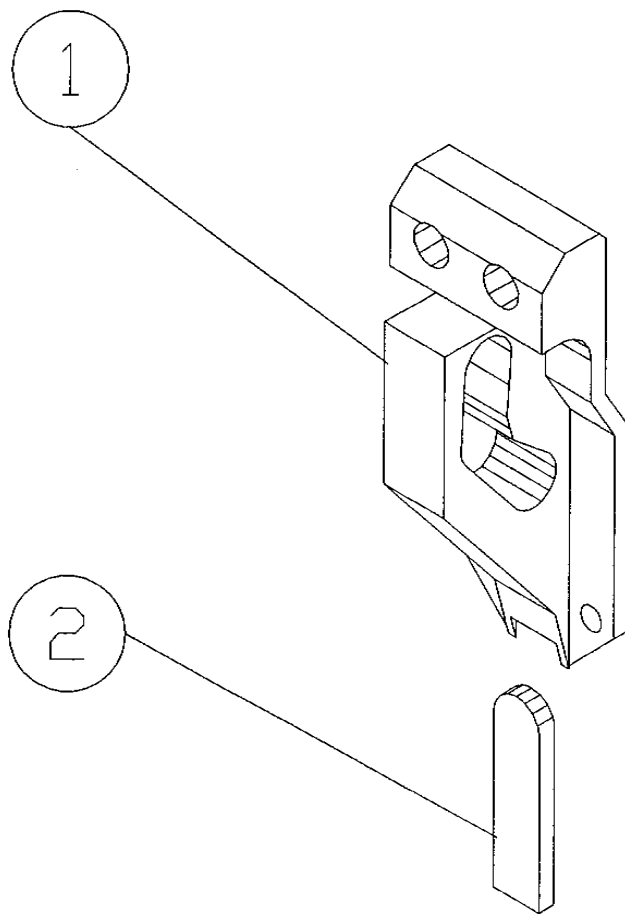


BOM15 Bill of Material for Assembly 801-1-9
Wire Clamp w/Red Insert

Revision :A Revision Date: 04-01-89 Effective As of: 08-10-91

ITEM	1...5...10	PART#.....	DESCRIPTION.....	QTY
1	1.....	N.S.S.	WIRE CLAMP HOUSING	1 EA
2	1.....	801-1-22	WIRECLAMP INSERT - RED	1 EA

N.S.S. = NOT SOLD SEPARATELY



GPD

Wire Clamp w/Red Insert No. 801-1-9



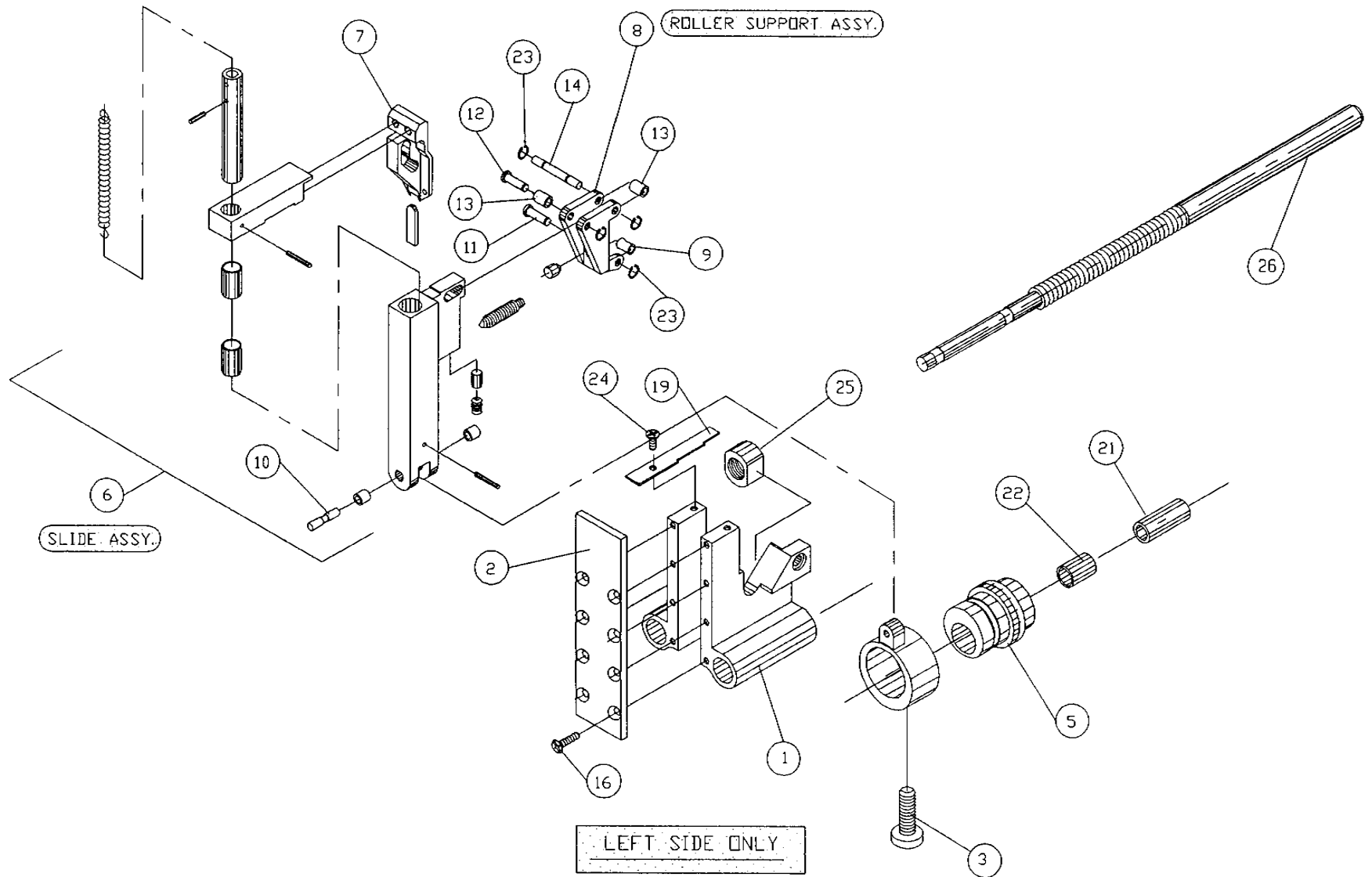
BOM15

Bill of Material for Assembly 801-3-100
Bending Die Block Assembly Station 7

Revision :A Revision Date: 04-01-89 Effective As of: 08-10-91

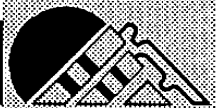
ITEM	1...5...10	PART#.....	DESCRIPTION.....	QTY
1	1.....	801-2-1L	BENDING DIE BLOCK STA.#7	1 EA
2	1.....	801-1-3	COVER PLATE	1 EA
3	1.....	801-1-20	SCREW,THUMB,WASHER FACE	1 EA
4	1.....	801-1-7#9	CRANK	1 EA
5	1.....	801-1-8L	COLLAR ADJ (L)	1 EA
6	1.....	801-1-200	SLIDE ASSEMBLY	1 EA
7	1.....	801-1-9	WIRE CLAMP W/RED INSERT	1 EA
8	1.....	801-1-100	ROLLER SUPPORT ASSM	1 EA
9	1.....	801-1-11	ROLLER	1 EA
10	1.....	801-1-12	CRANK PIN	1 EA
11	1.....	801-1-13	ROLLER PIN	1 EA
12	1.....	801-1-14	ROLLER SUPPORT PIN	1 EA
13	1.....	801-1-15	ROLLER	2 EA
14	1.....	801-1-17	WIRE CLAMP PIN	1 EA
15	NOT APPLICABLE			
16	1.....	SAFANO440037	SCREW,ALLEN,FLATHEAD	AR EA
17	1.....	SACANO632050	SCREW,ALLEN,CAP	AR EA
18	1.....	SACANO440037	SCREW,ALLEN,CAP	AR EA
19	1.....	801-1-5	LEAF SPRING	8 EA
20	NOT APPLICABLE			
21	1.....	L0602	BUSHING	1 EA
22	1.....	L0601	BUSHING	1 EA
23	1.....	G1001	RETAINING RING	AR EA
24	1.....	TACANO440012	SET.A.CU.STL.	AR EA
25	1.....	801-1-16R	NUT ADJUSTMENT (R)	1 EA
26	1.....	802-1-5	ROD ADJUSTMENT (R)	1 EA

N.S.S. = NOT SOLD SEPARATELY



GPD

Bending Die Block Assembly Station 7 No. 801-3-100

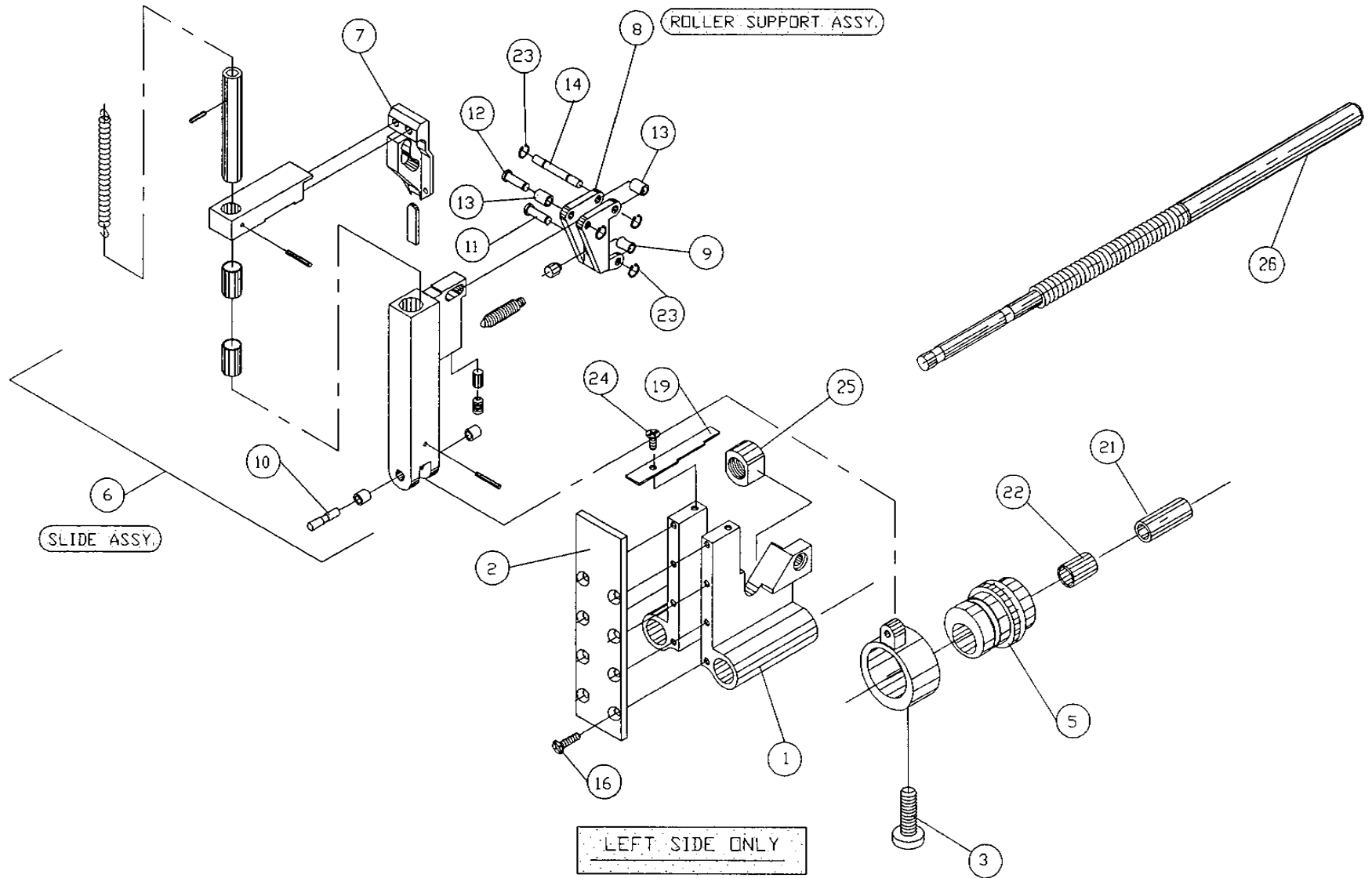


BOM15 Bill of Material for Assembly 801-3-100-MET
 Bending Die Block Assembly Station 7 Metric

Revision :A Revision Date: 04-01-89 Effective As of: 08-10-91

ITEM	1...5...10	PART#.....	DESCRIPTION.....	QTY
1	1.....	801-2-1L	BENDING DIE BLOCK STA.#7	1 EA
2	1.....	801-1-3	COVER PLATE	1 EA
3	1.....	801-1-20	SCREW,THUMB,WASHER FACE	1 EA
4	1.....	801-1-7#9	CRANK	1 EA
5	1.....	801-1-8L	COLLAR ADJ (L)	1 EA
6	1.....	801-1-200	SLIDE ASSEMBLY	1 EA
7	1.....	801-1-9	WIRE CLAMP W/RED INSERT	1 EA
8	1.....	801-1-100	ROLLER SUPPORT ASSM	1 EA
9	1.....	801-1-11	ROLLER	1 EA
10	1.....	801-1-12	CRANK PIN	1 EA
11	1.....	801-1-13	ROLLER PIN	1 EA
12	1.....	801-1-14	ROLLER SUPPORT PIN	1 EA
13	1.....	801-1-15	ROLLER	2 EA
14	1.....	801-1-17	WIRE CLAMP PIN	1 EA
15	NOT APPLICABLE			
16	1.....	SAFAN0440037	SCREW,ALLEN,FLATHEAD	AR EA
17	1.....	SACAN0632050	SCREW,ALLEN,CAP	AR EA
18	1.....	SACAN0440037	SCREW,ALLEN,CAP	AR EA
19	1.....	801-1-5	LEAF SPRING	8 EA
20	NOT APPLICABLE			
21	1.....	L0602	BUSHING	1 EA
22	1.....	L0601	BUSHING	1 EA
23	1.....	G1001	RETAINING RING	AR EA
24	1.....	TACAN0440012	SET.A.CU.STL.	AR EA
25	1.....	801-1-16RM	NUT ADJUSTMENT (R) METRIC	1 EA
26	1.....	802-1-5M	ROD ADJUSTMENT (R) METRIC	1 EA

N.S.S. = NOT SOLD SEPARATELY



GPD

Bending Die Block Assembly Station 7 Metric No. 801-3-100M

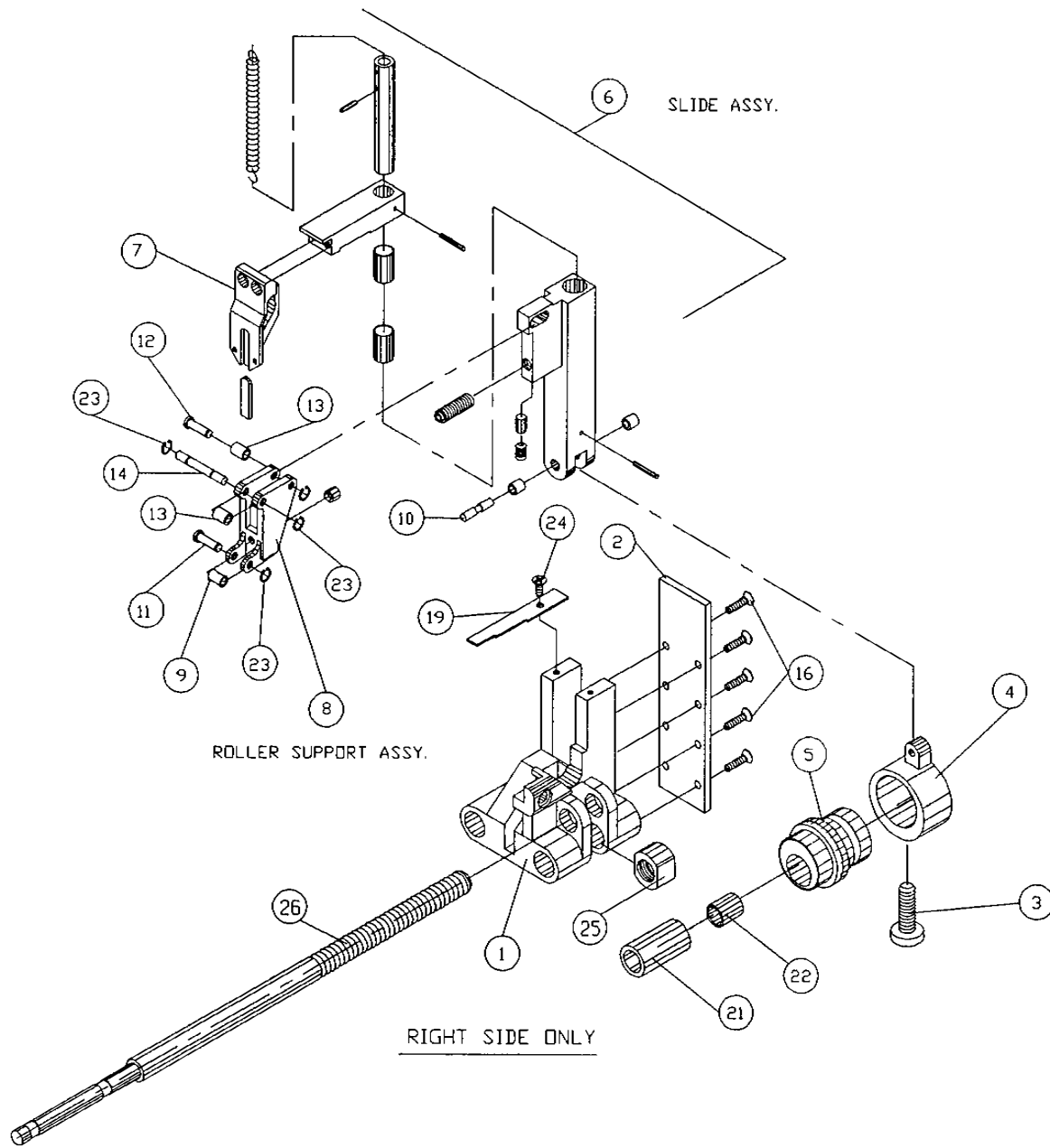


BOM15 Bill of Material for Assembly 801-3-101
 Bending Die Block Assembly Station 6

Revision :A Revision Date: 01-01-89 Effective As of: 08-10-91

ITEM	1...5...10	PART#.....	DESCRIPTION.....	QTY
1	1.....	801-2-1R	BENDING DIE BLOCK STA.#6	1 EA
2	1.....	801-1-3	COVER PLATE	1 EA
3	1.....	801-1-20	SCREW,THUMB,WASHER FACE	1 EA
4	1.....	801-1-7#8	CRANK	1 EA
5	1.....	801-1-8R	COLLAR ADJ (R)	1 EA
6	1.....	801-1-200	SLIDE ASSEMBLY	1 EA
7	1.....	801-1-9	WIRE CLAMP W/RED INSERT	1 EA
8	1.....	801-1-100	ROLLER SUPPORT ASSM	1 EA
9	1.....	801-1-11	ROLLER	1 EA
10	1.....	801-1-12	CRANK PIN	1 EA
11	1.....	801-1-13	ROLLER PIN	1 EA
12	1.....	801-1-14	ROLLER SUPPORT PIN	1 EA
13	1.....	801-1-15	ROLLER	2 EA
14	1.....	801-1-17	WIRE CLAMP PIN	1 EA
15	NOT APPLICABLE			
16	1.....	SAFAN0440037	SCREW,ALLEN,FLATHEAD	AR EA
17	1.....	SACAN0632050	SCREW,ALLEN,CAP	AR EA
18	1.....	SACAN0440037	SCREW,ALLEN,CAP	AR EA
19	1.....	801-1-5	LEAF SPRING	8 EA
20	NOT APPLICABLE			
21	1.....	L0602	BUSHING	1 EA
22	1.....	L0601	BUSHING	1 EA
23	1.....	G1001	RETAINING RING	AR EA
24	1.....	TACAN0440012	SET.A.CU.STL.	AR EA
25	1.....	801-1-16L	NUT ADJUSTMENT (L)	1 EA
26	1.....	802-1-6	ROD ADJUSTMENT (R)	1 EA

N.S.S. = NOT SOLD SEPARATELY



GPD

Bending Die Block Assembly Station 6 No. 801-3-101

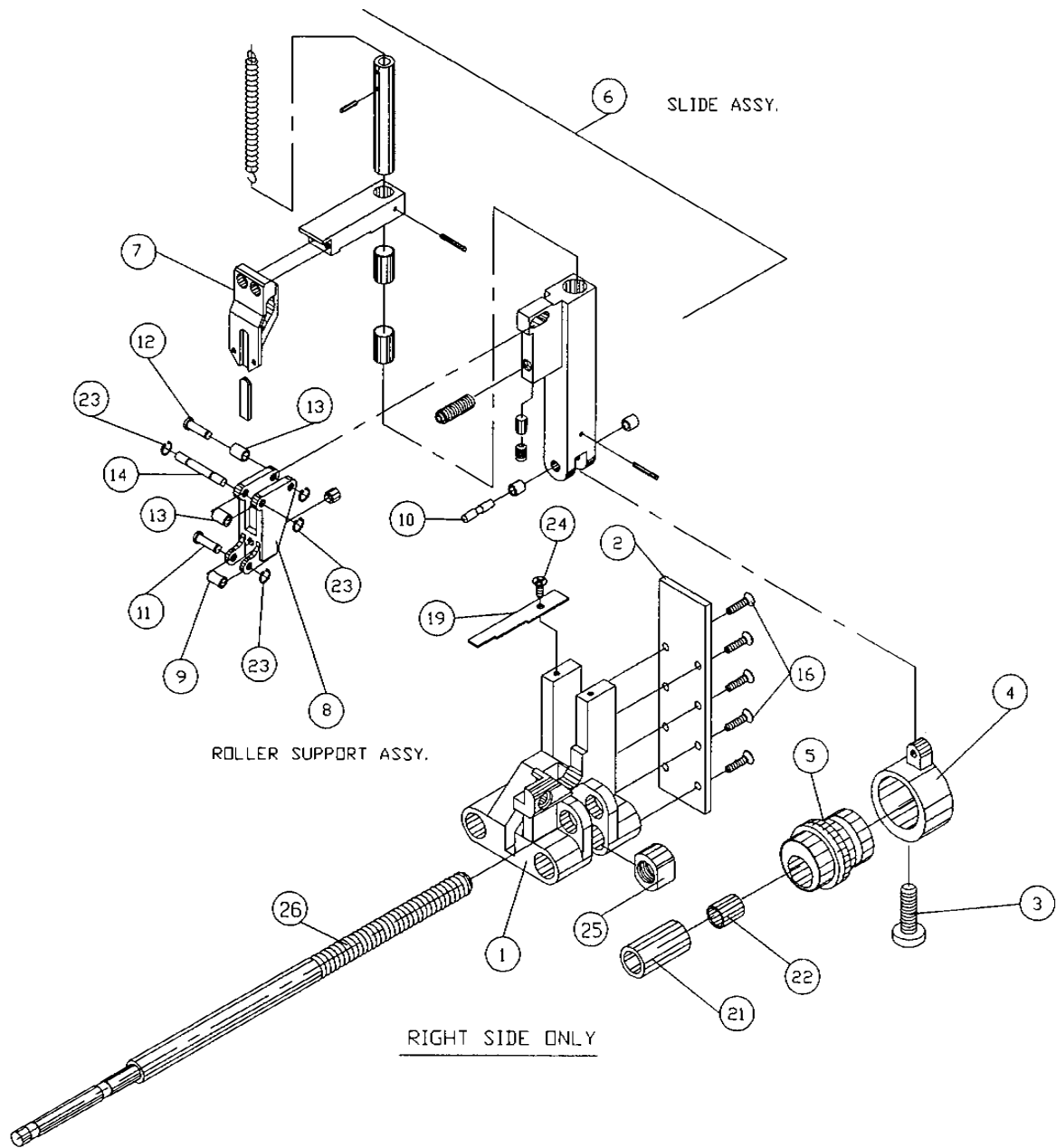


BOM15 Bill of Material for Assembly 801-3-101-MET
 Bending Die Block Assembly Station 6 Metric

Revision :A Revision Date: 06-01-96 Effective As of: 06-01-96

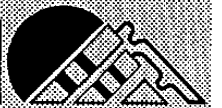
ITEM	1...5...10	PART#.....	DESCRIPTION.....	QTY
1	1.....	801-2-1R	BENDING DIE BLOCK STA.#6	1 EA
2	1.....	801-1-3	COVER PLATE	1 EA
3	1.....	801-1-20	SCREW,THUMB,WASHER FACE	1 EA
4	1.....	801-1-7#8	CRANK	1 EA
5	1.....	801-1-8R	COLLAR ADJ (R)	1 EA
6	1.....	801-1-200	SLIDE ASSEMBLY	1 EA
7	1.....	801-1-9	WIRE CLAMP W/RED INSERT	1 EA
8	1.....	801-1-100	ROLLER SUPPORT ASSM	1 EA
9	1.....	801-1-11	ROLLER	1 EA
10	1.....	801-1-12	CRANK PIN	1 EA
11	1.....	801-1-13	ROLLER PIN	1 EA
12	1.....	801-1-14	ROLLER SUPPORT PIN	1 EA
13	1.....	801-1-15	ROLLER	2 EA
14	1.....	801-1-17	WIRE CLAMP PIN	1 EA
15	NOT APPLICABLE			
16	1.....	SAFAN0440037	SCREW,ALLEN,FLATHEAD	AR EA
17	1.....	SACAN0632050	SCREW,ALLEN,CAP	AR EA
18	1.....	SACAN0440037	SCREW,ALLEN,CAP	AR EA
19	1.....	801-1-5	LEAF SPRING	8 EA
20	NOT APPLICABLE			
21	1.....	L0602	BUSHING 07DU12	1 EA
22	1.....	L0601	BUSHING 07DU08	1 EA
23	1.....	G1001	RETAINING RING 5100-12	AR EA
24	1.....	TACAN0440012	SET.A.CU.STL.	AR EA
25	1.....	801-1-16LM	NUT ADJUSTMENT (L) METRIC	1 EA
26	1.....	802-1-6M	ROD ADJUSTMENT (L) METRIC	1 EA

N.S.S. = NOT SOLD SEPARATELY



GPD

Bending Die Block Assembly Station 6 Metric No. 801-3-101-MET

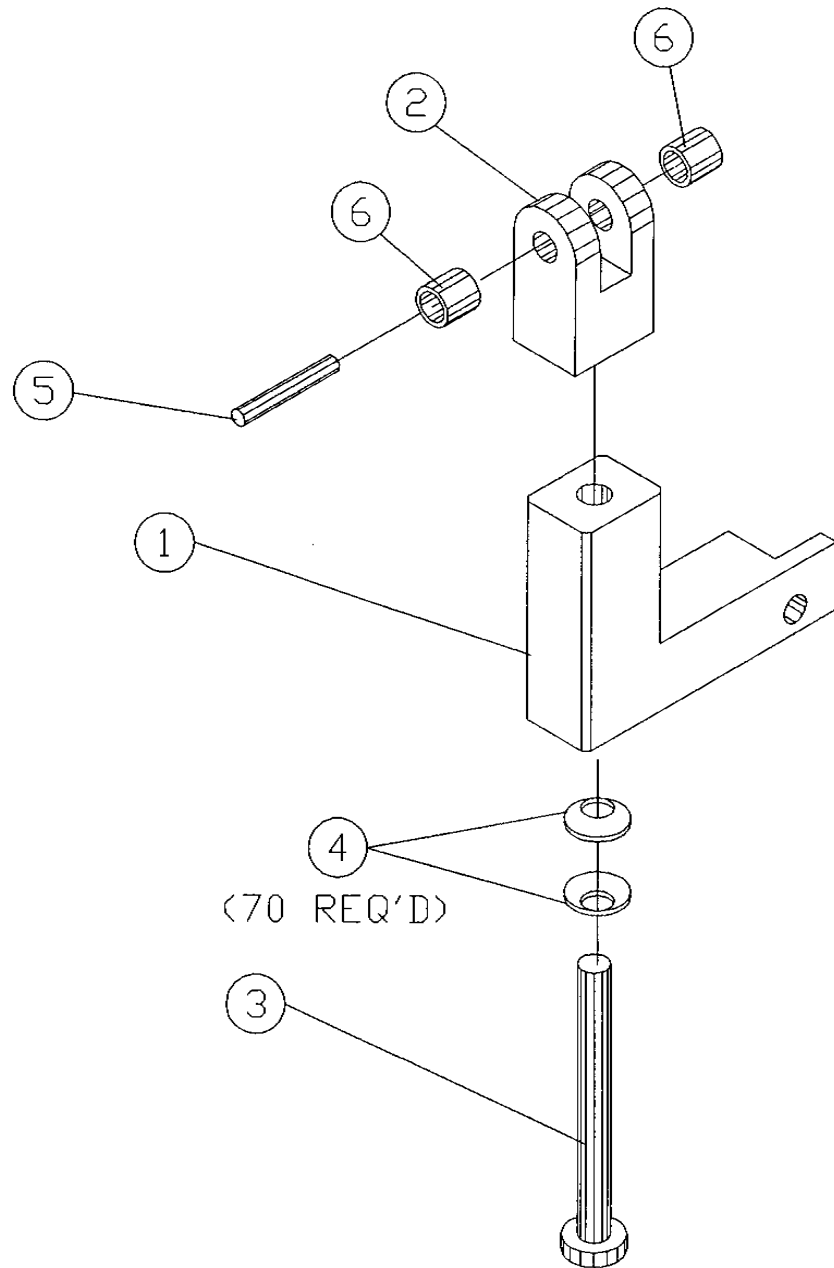


BOM15 Bill of Material for Assembly 802-1-100
 Die Holder Assembly Station 5

Revision :A Revision Date: 06-01-96 Effective As of: 06-01-96

ITEM	1...5...10	PART#.....	DESCRIPTION.....	QTY
1	1.....	N.S.S.	DIE HOLDER (L)	1 EA
2	1.....	N.S.S.	CLEVIS	1 EA
3	1.....	N.S.S.	PULL ROD	1 EA
4	1.....	S4003	WASHER B0375-015	AR EA
5	1.....	RPAS06050	PIN,ROLL	AR EA
6	1.....	L0001	BUSHING	2 EA

N.S.S. = NOT SOLD SEPARATELY



GPD

Die Holder Assembly Station 5 No. 802-1-100



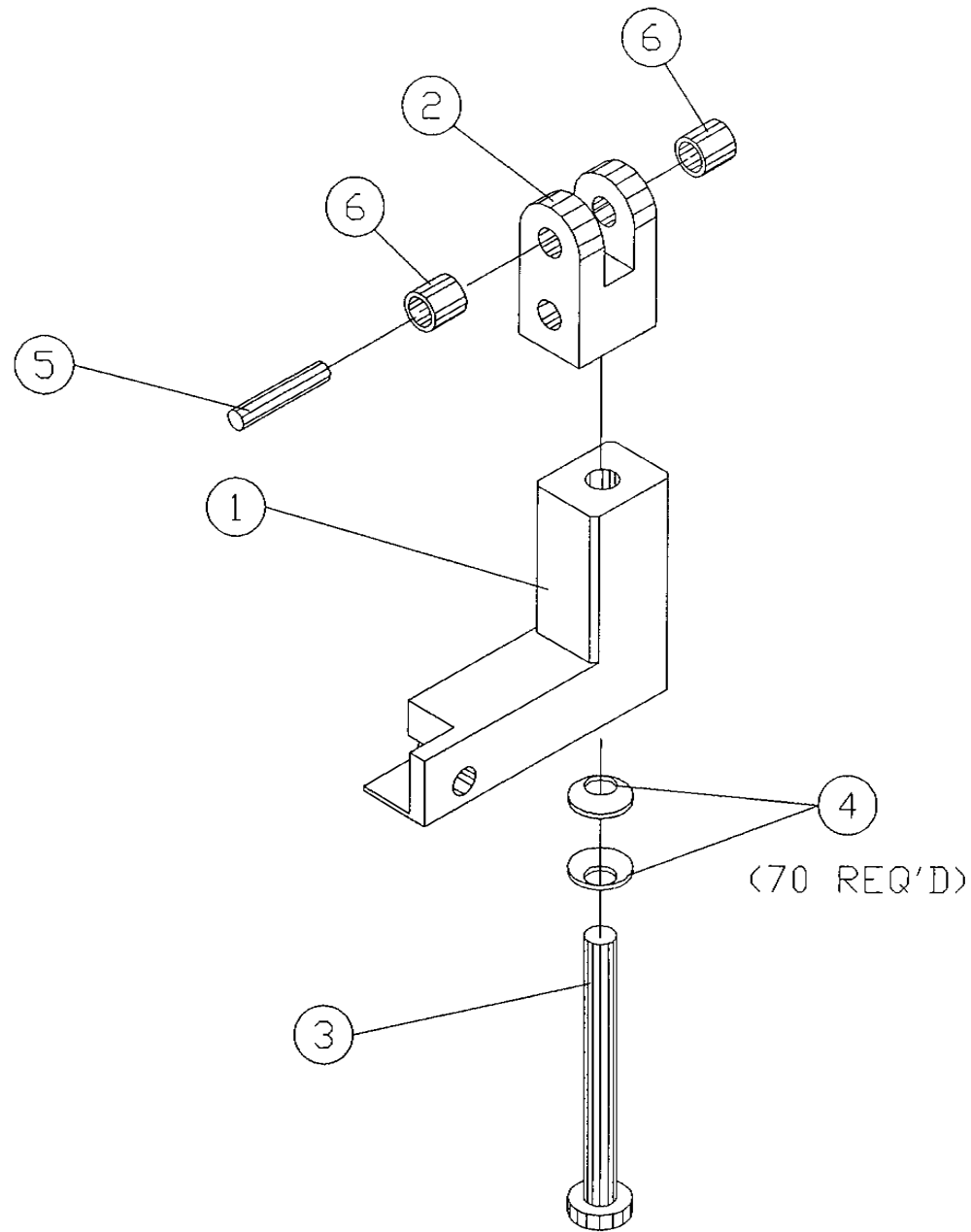
BOM15

Bill of Material for Assembly 802-1-101
Die Holder Assembly Station 4

Revision :A Revision Date: 04-01-89 Effective As of: 08-10-91

ITEM	1...5...10	PART#.....	DESCRIPTION.....	QTY
1	1.....	N.S.S.	DIE HOLDER (R)	1 EA
2	1.....	N.S.S.	CLEVIS	1 EA
3	1.....	N.S.S.	PULL ROD	1 EA
4	1.....	S4003	WASHER B0375-015	70 EA
5	1.....	RPAS06050	PIN,ROLL	AR EA
6	1.....	L0001	BUSHING	2 EA

N.S.S. = NOT SOLD SEPARATELY



GPD

Die Holder Assembly Station 4 No. 802-1-101



BOM15 Bill of Material for Assembly 802-3-102
Die Block Assembly Station 5

Revision :A Revision Date: 06-01-96 Effective As of: 06-01-96

ITEM	1...5...10	PART#.....	DESCRIPTION.....	QTY
1	1.....	802-2-4L	CRIMPING DIE BLOCK STA.#5	1 EA
2	1.....	802-1-8	COVER PLATE	1 EA
3	1.....	802-1-1E	CRANK EXTENDED STROKE	1 EA
4	1.....	802-1-13	BUSHING ECCENTRIC .015	1 EA
5	1.....	802-1-100	DIE HOLDER ASSM STA.#5	1 EA
6	1.....	L0602	BUSHING	1 EA
7	1.....	SAFAN0440037	SCREW,ALLEN,FLATHEAD	AR EA
8	1.....	TACAN0632018	SET.A.CU.STL.	AR EA
9	1.....	TACAN0440012	SET.A.CU.STL.	AR EA
10	1.....	801-1-12	CRANK PIN	1 EA
11	1.....	802-1-5	ROD ADJ (R)	1 EA
12	1.....	801-1-16R	NUT ADJ (R)	1 EA

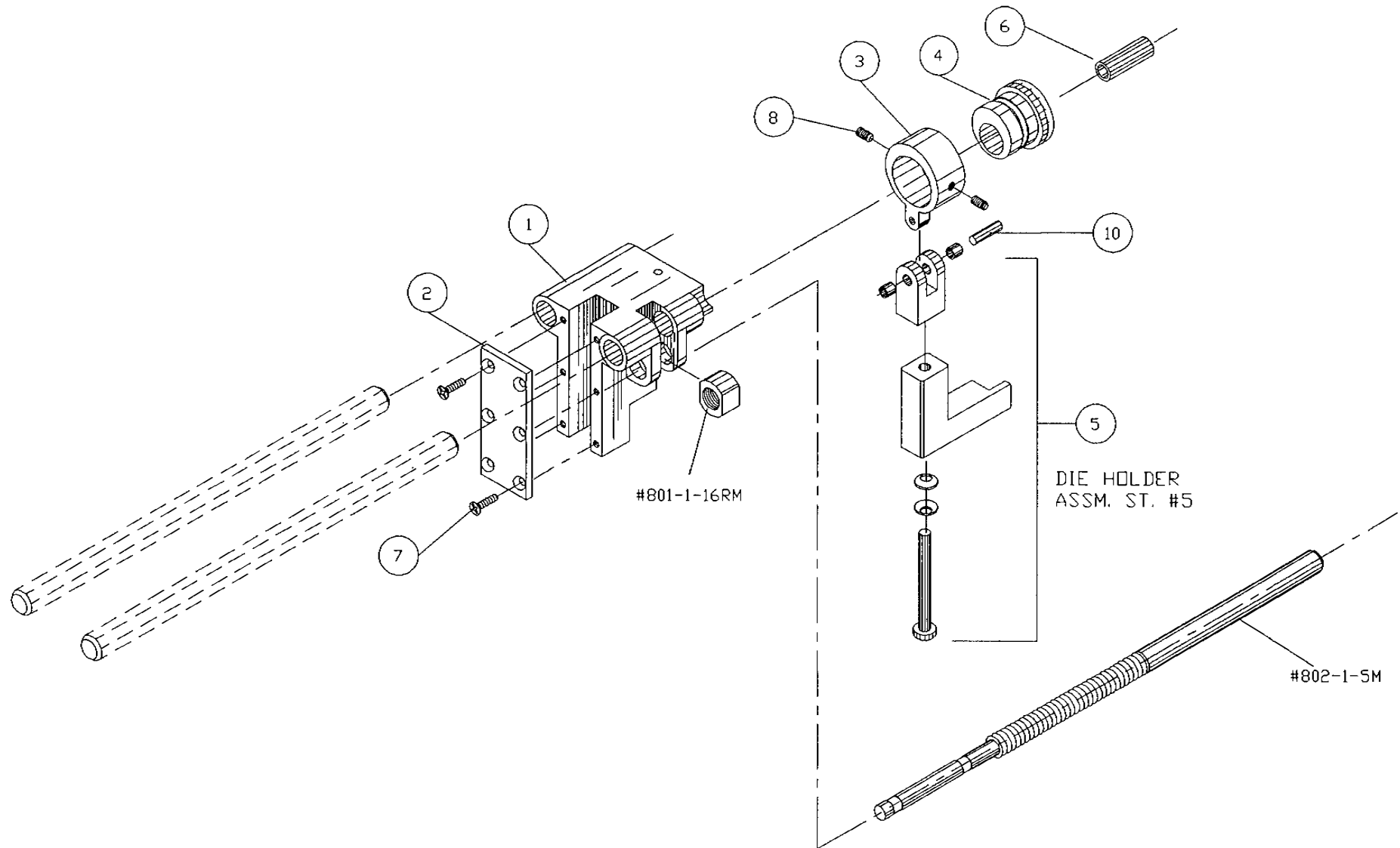
N.S.S. = NOT SOLD SEPARATELY

BOM15 Bill of Material for Assembly 802-3-102-MET
Die Block Assembly Station 5 Metric

Revision :A Revision Date: 06-01-96 Effective As of: 06-01-96

ITEM	1...5...10	PART#.....	DESCRIPTION.....	QTY
1	1.....	802-2-4L	CRIMPING DIE BLOCK STA.#5	1 EA
2	1.....	802-1-8	COVER PLATE	1 EA
3	1.....	802-1-1E	CRANK EXTENDED STROKE	1 EA
4	1.....	802-1-13	BUSHING ECCENTRIC .015	1 EA
5	1.....	802-1-100	DIE HOLDER ASSM STA.#5	1 EA
6	1.....	L0602	BUSHING	1 EA
7	1.....	SAFAN0440037	SCREW,ALLEN,FLATHEAD	AR EA
8	1.....	TACAN0632018	SET.A.CU.STL.	AR EA
9	1.....	TACAN0440012	SET.A.CU.STL.	AR EA
10	1.....	801-1-12	CRANK PIN	1 EA
11	1.....	802-1-5M	ROD ADJ (R) METRIC	1 EA
12	1.....	801-1-16RM	NUT ADJ (R) METRIC	1 EA

N.S.S. = NOT SOLD SEPARATELY



GPD

Die Block Assembly Station 5 Metric No. 802-3-102-MET



BOM15

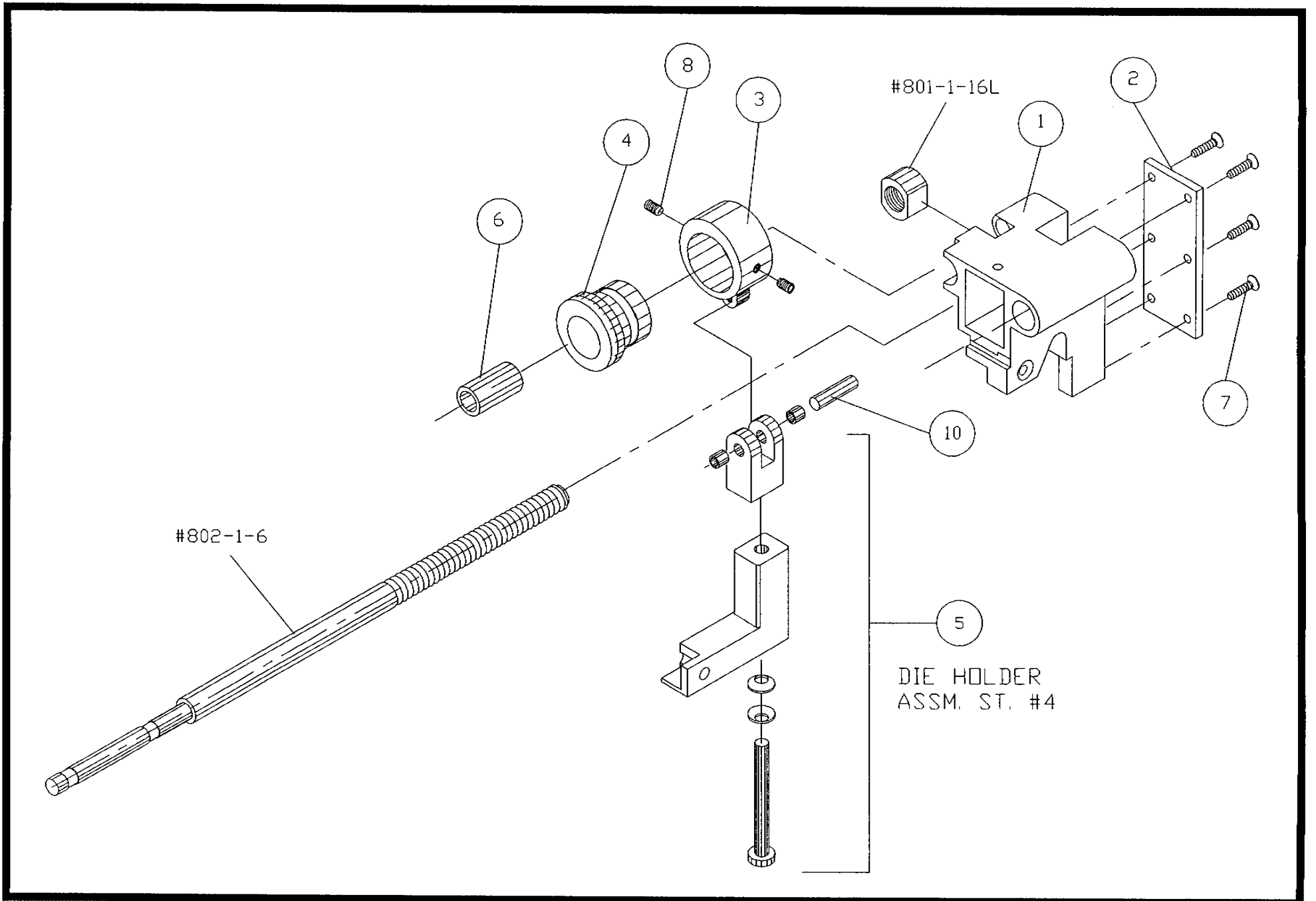
Bill of Material for Assembly 802-3-103

Die Block Assembly Station 4

Revision :A Revision Date: 06-01-96 Effective As of: 06-01-96

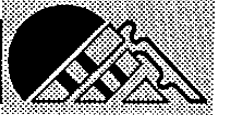
ITEM	1...5...10	PART#.....	DESCRIPTION.....	QTY
1	1.....	802-2-4R	CRIMPING DIE BLOCK STA.#4	1 EA
2	1.....	802-1-8	COVER PLATE	1 EA
3	1.....	802-1-1E	CRANK EXTENDED STROKE	1 EA
4	1.....	802-1-13	BUSHING ECCENTRIC .015	1 EA
5	1.....	802-1-101	DIE HOLDER ASSM STA.4	1 EA
6	1.....	L0602	BUSHING	1 EA
7	1.....	SAFAN0440037	SCREW,ALLEN,FLATHEAD	AR EA
8	1.....	TACAN0632018	SET.A.CU.STL.	AR EA
9	1.....	TACAN0440012	SET.A.CU.STL.	AR EA
10	1.....	801-1-12	CRANK PIN	1 EA
11	1.....	802-1-6	ROD ADJ (L)	1 EA
12	1.....	801-1-16L	NUT ADJ (L)	1 EA

N.S.S. = NOT SOLD SEPARATELY



GPD

Die Block Assembly Station 4 No. 802-3-103

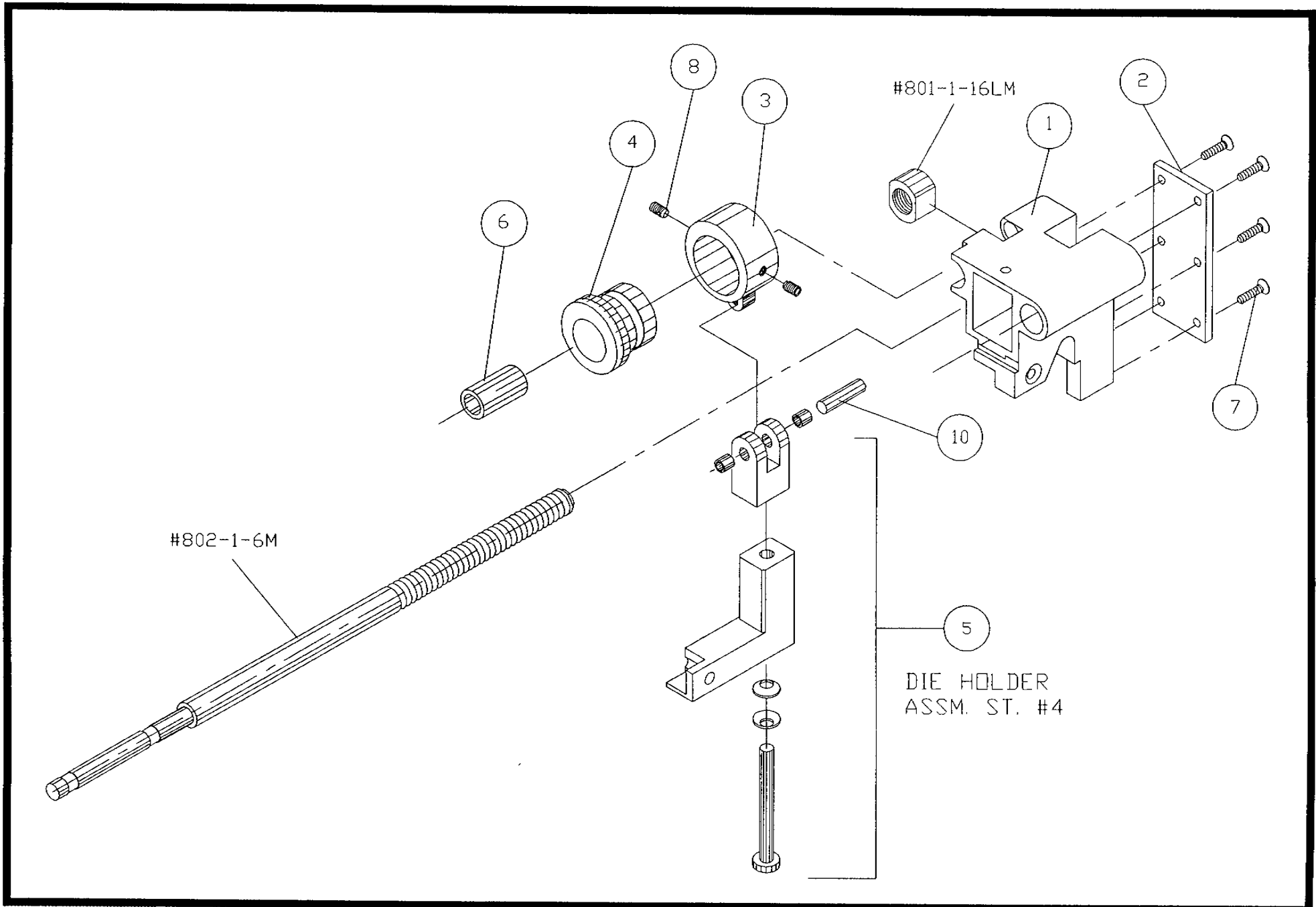


BOM15 Bill of Material for Assembly 802-3-103-MET
Die Block Assembly Station 4 Metric

Revision :A Revision Date: 06-01-96 Effective As of: 06-01-96

ITEM	1...5...10	PART#.....	DESCRIPTION.....	QTY
1	1.....	802-2-4R	CRIMPING DIE BLOCK STA.#4	1 EA
2	1.....	802-1-8	COVER PLATE	1 EA
3	1.....	802-1-1E	CRANK EXTENDED STROKE	1 EA
4	1.....	802-1-13	BUSHING ECCENTRIC .015	1 EA
5	1.....	802-1-101	DIE HOLDER ASSM STA.4	1 EA
6	1.....	L0602	BUSHING	1 EA
7	1.....	SAFAN0440037	SCREW,ALLEN,FLATHEAD	AR EA
8	1.....	TACAN0632018	SET.A.CU.STL.	AR EA
9	1.....	TACAN0440012	SET.A.CU.STL.	AR EA
10	1.....	801-1-12	CRANK PIN	1 EA
11	1.....	802-1-6M	ROD ADJ (L) METRIC	1 EA
12	1.....	801-1-16LM	NUT ADJ (L) METRIC	1 EA

N.S.S. = NOT SOLD SEPARATELY



Die Block Assembly Station 4 Metric No. 802-3-103-MET



BOM15

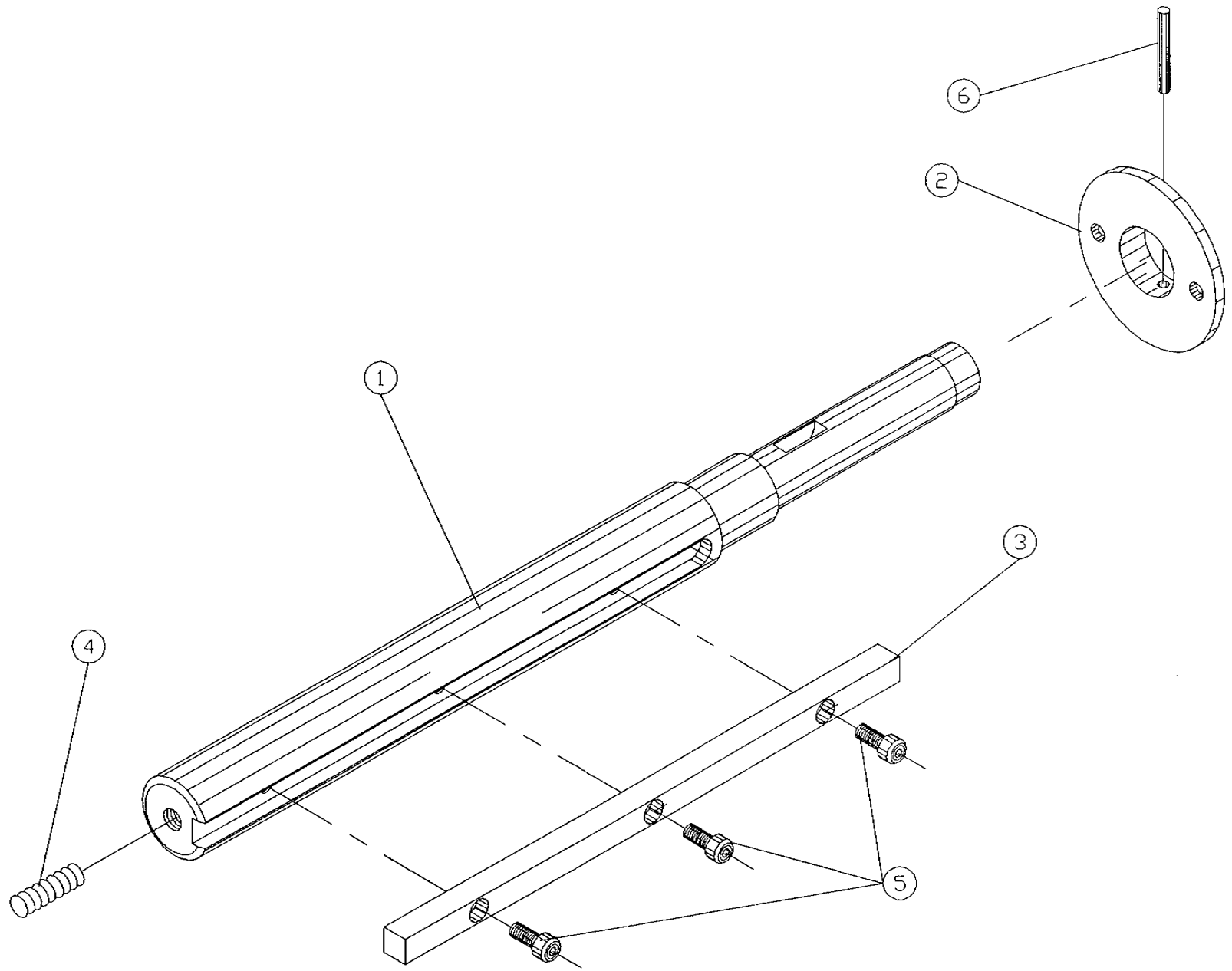
Bill of Material for Assembly 803-1-100

Shaft - Main Shaft Assembly

Revision :A Revision Date: 06-01-96 Effective As of: 06-01-96

ITEM	1...5...10	PART#.....	DESCRIPTION.....	QTY
1	1.....	N.S.S.	SHAFT (CUTTING WHEELS)	1 EA
2	1.....	N.S.S.	WASHER (CUTTING WHEELS)	1 EA
3	1.....	803-1-6	KEY	1 EA
4	1.....	TACAN2520125	SET.A.CU.STL.	1 EA
5	1.....	SACAN0832037	SCREW,ALLEN,CAP	AR EA
6	1.....	RPAS12100	PIN,ROLL	AR EA

N.S.S. = NOT SOLD SEPARATELY



GPD

Shaft - Main Shaft Assembly No. 803-1-100



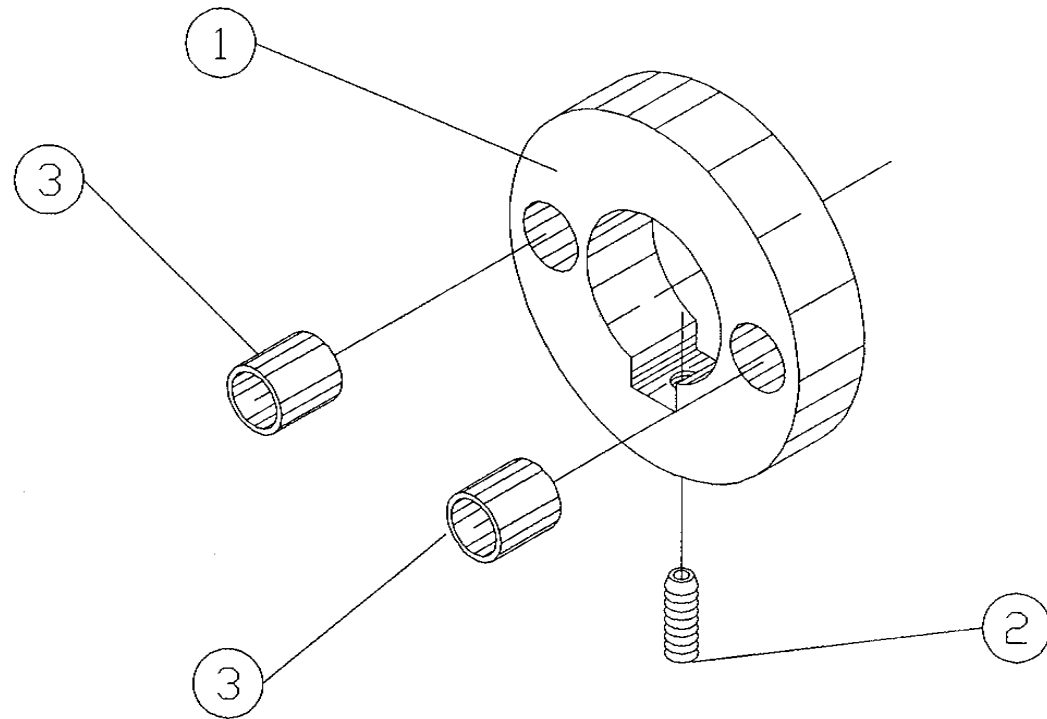
BCM15

Bill of Material for Assembly 803-1-110
Collar Assembly -- Cutting Wheels

Revision :A Revision Date: 04-01-89 Effective As of: 08-10-91

ITEM	1...5...10	PART#.....	DESCRIPTION.....	QTY
1	1.....	803-1-11	COLLAR (CUTTING WHEELS)	1 EA
2	1.....	TACAN0832025	SET.A.CU.STL.	AR EA
3	1.....	L0402	BUSHING	2 EA

N.S.S. = NOT SOLD SEPARATELY



GPD

Collar Assembly -- Cutting Wheels No. 803-1-110



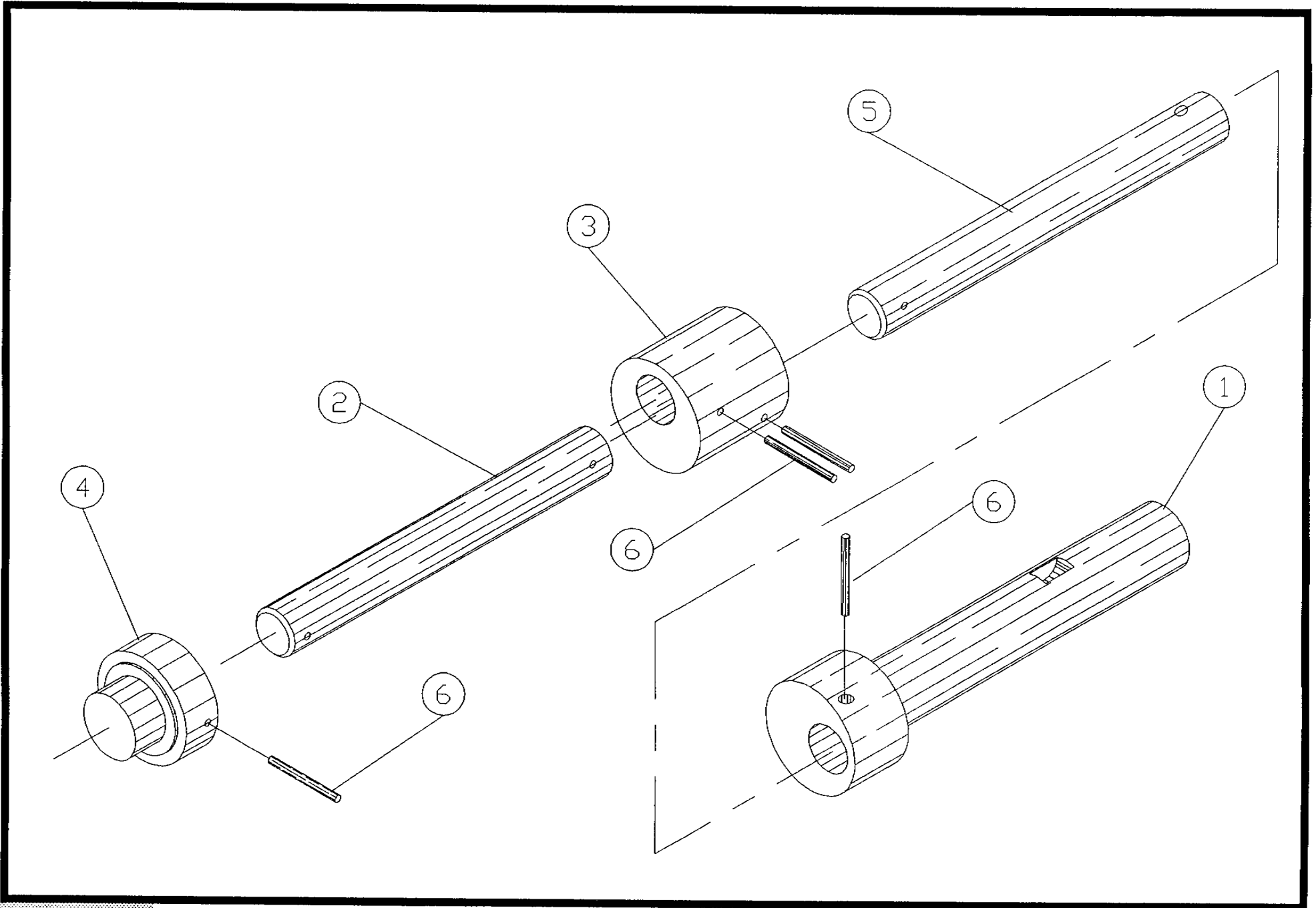
BOM15

Bill of Material for Assembly 804-1-104
Eccentric Shaft Assembly

Revision :A Revision Date: 01-01-89 Effective As of: 08-10-91

ITEM	1...5...10	PART#.....	DESCRIPTION.....	QTY
1	1.....	N.S.S.	ECCENTRIC SHAFT	1 EA
2	1.....	N.S.S.	CRANK SHAFT	1 EA
3	1.....	N.S.S.	ECCENTRIC CONNECTOR	1 EA
4	1.....	N.S.S.	ECCENTRIC HUB	1 EA
5	1.....	N.S.S.	CRANK SHAFT	1 EA
6	1.....	RPAS09075	PIN,ROLL	AR EA

N.S.S. = NOT SOLD SEPARATELY



GPD

Eccentric Shaft Assembly No. 804-1-104



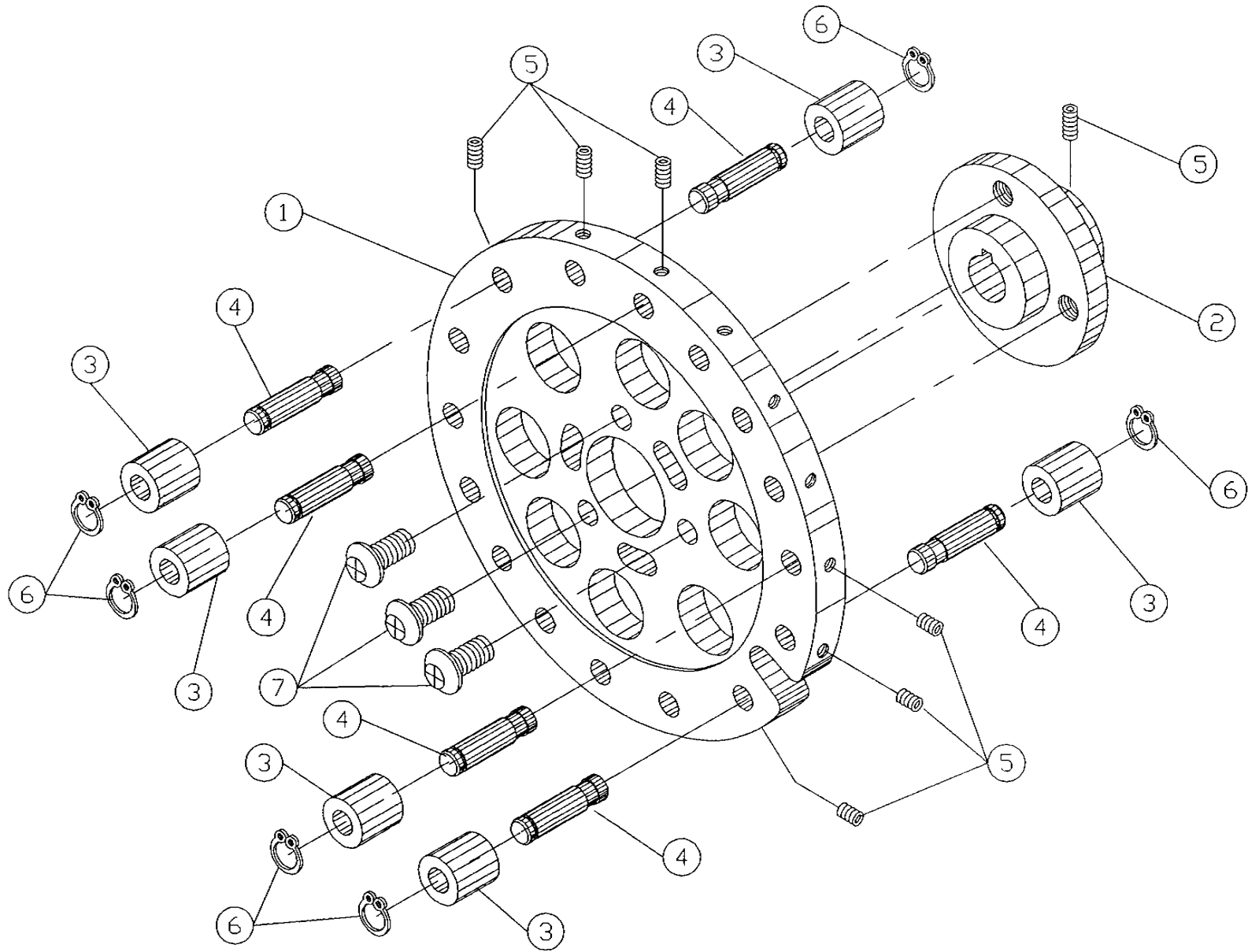
BOM15

Bill of Material for Assembly 807-1-105
Cam Follower Assembly

Revision :A Revision Date: 01-01-89 Effective As of: 08-10-91

ITEM	1...5...10	PART#.....	DESCRIPTION.....	QTY
1	1.....	N.S.S.	CAM FOLLOWER	1 EA
2	1.....	806-1-11	HUB (FOR CAM FOLLOWER)	1 EA
3	1.....	806-1-3	ROLLER (CAM FOLLOWER)	16 EA
4	1.....	N.S.S.	SPIGOT (CAM FOLLOWER)	16 EA
5	1.....	TACAN0632018	SET.A.CU.STL.	AR EA
6	1.....	G1007	RETAINING RING	AR EA
7	1.....	SABAN2520050	SCREW,ALLEN,BUTTON	AR EA

N.S.S. = NOT SOLD SEPARATELY



GPD

Cam Follower Assembly No. 807-1-105



BOM15

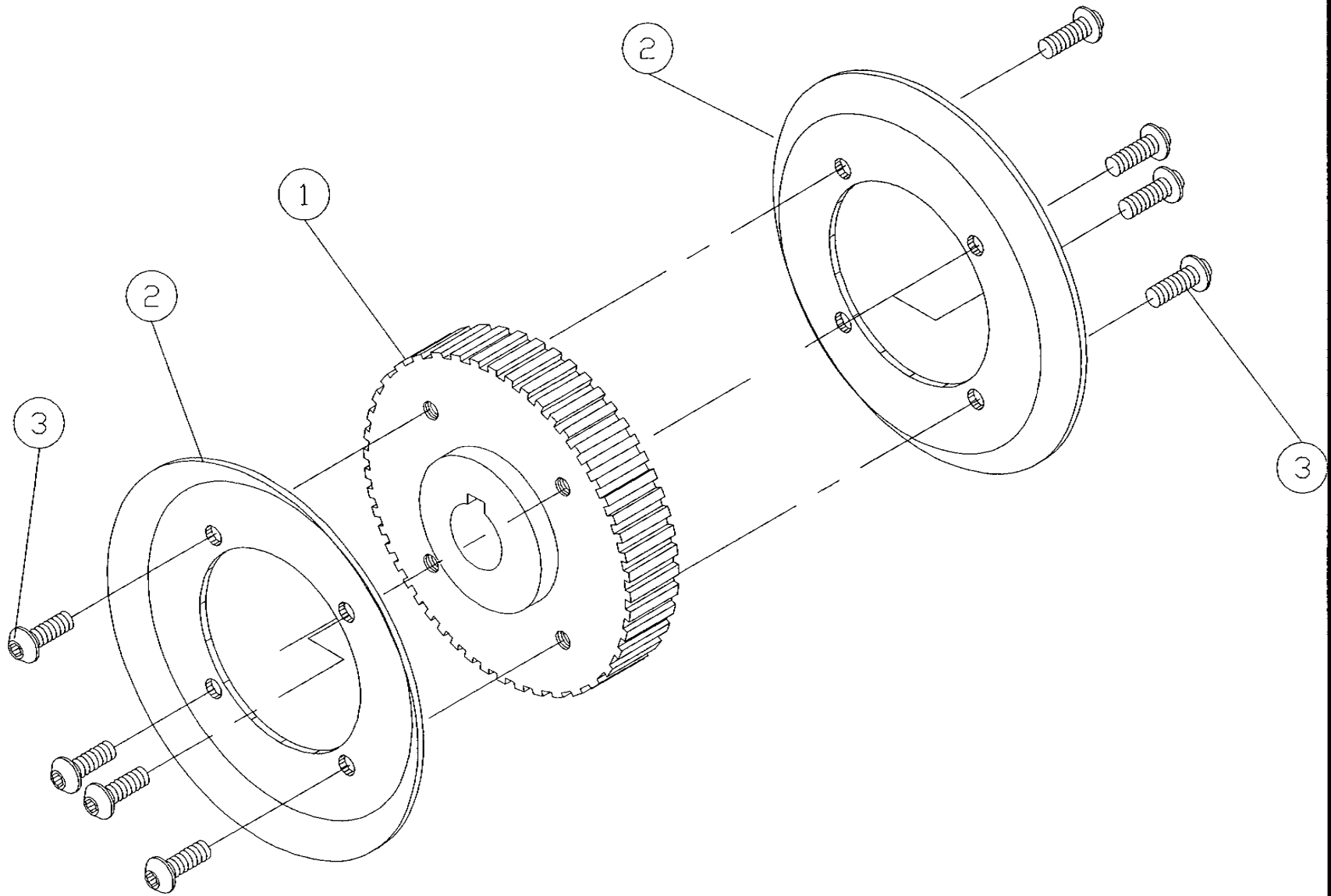
Bill of Material for Assembly 807-3-106

Keyed Pulley Assembly

Revision :A Revision Date: 09-20-96 Effective As of: 09-20-96

ITEM	1...5...10	PART#.....	DESCRIPTION.....	QTY
1	1.....	807-1-3	PULLEY CLUTCH	1 EA
2	1.....	807-1-6	PULLEY FLANGE	2 EA
3	1.....	SABAN0832025	SCREW,ALLEN,BUTTON	AR EA

N.S.S. = NOT SOLD SEPARATELY



GPD

Keyed Pulley Assembly No. 807-3-106



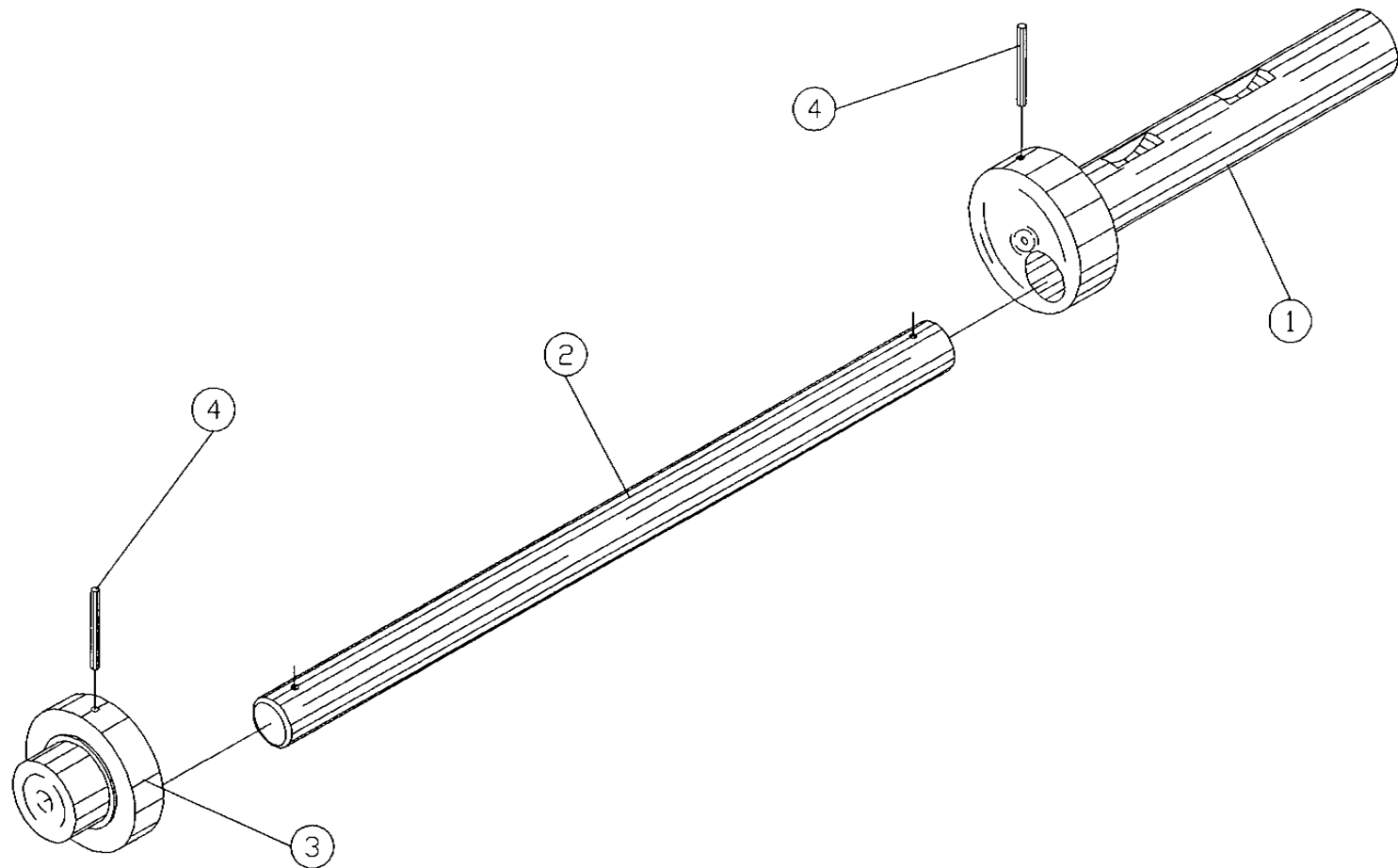
BOM15

Bill of Material for Assembly 808-3-107
Eccentric Shaft Assembly

Revision :A Revision Date: 01-01-89 Effective As of: 08-10-91

ITEM	1...5...10	PART#.....	DESCRIPTION.....	QTY
1	1.....	N.S.S.	ECCENTRIC SHAFT	1 EA
2	1.....	N.S.S.	CRANK SHAFT	1 EA
3	1.....	N.S.S.	ECCENTRIC HUB	1 EA
4	1.....	RPAS09075	PIN,ROLL	AR EA

N.S.S. = NOT SOLD SEPARATELY



GPD

Eccentric Shaft Assembly No. 808-3-107



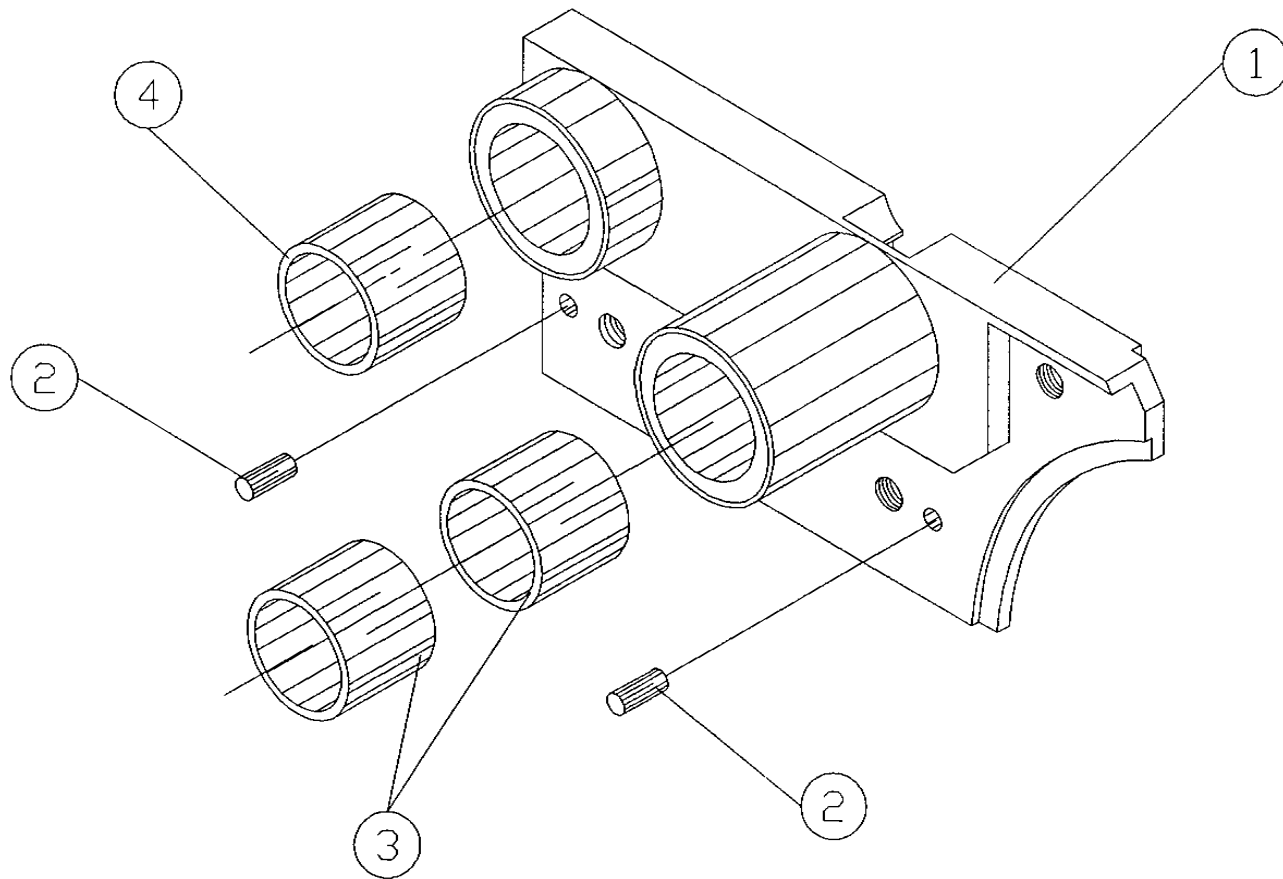
BOM15

Bill of Material for Assembly 809-3-100
Knifeholder Left Assembly

Revision :A Revision Date: 04-01-89 Effective As of: 08-10-91

ITEM	1...5...10	PART#.....	DESCRIPTION.....	QTY
1	1.....	N.S.S.	KNIFEHOLDER, LEFT	1 EA
2	1.....	G2506	PIN,DOWEL	AR EA
3	1.....	L0901	BUSHING	2 EA
4	1.....	L0902	BUSHING	1 EA

N.S.S. = NOT SOLD SEPARATELY



GPD

Knifeholder (Left) Assembly No. 809-3-100



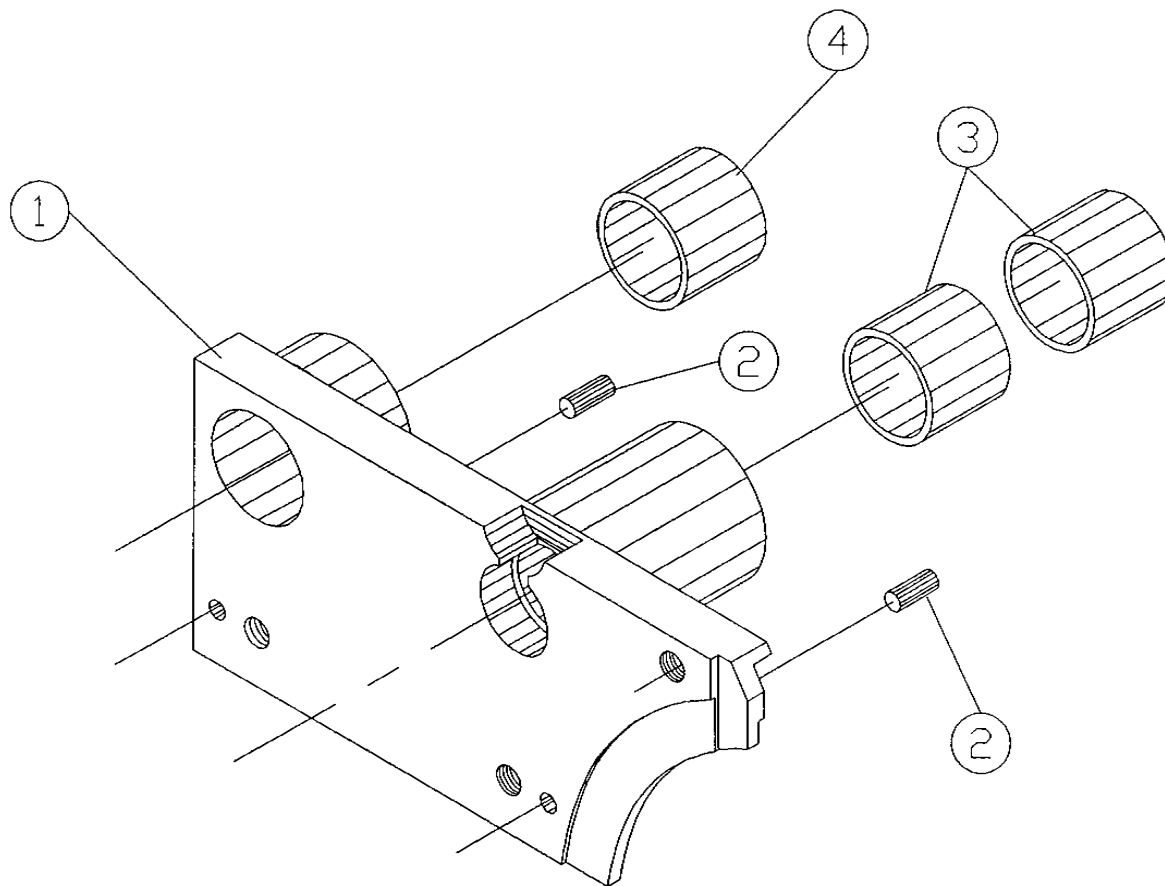
BOM15

Bill of Material for Assembly 809-3-200
 Knifeholder Right Assembly

Revision :A Revision Date: 04-01-89 Effective As of: 08-10-91

ITEM	1...5...10	PART#.....	DESCRIPTION.....	QTY
1	1.....	N.S.S.	KNIFEHOLDER, RIGHT	1 EA
2	1.....	G2506	PIN,DOWEL	AR EA
3	1.....	L0901	BUSHING	2 EA
4	1.....	L0902	BUSHING	1 EA

N.S.S. = NOT SOLD SEPARATELY



GPD

Knifeholder (Right) Assembly No. 809-3-200



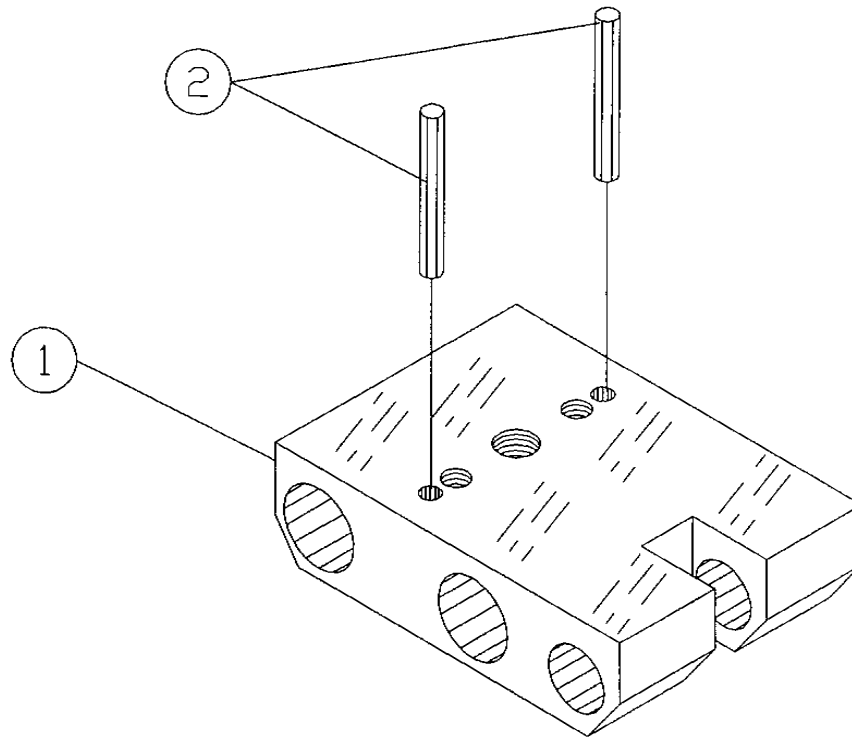
BOM15

Bill of Material for Assembly 809-4-200
Infeed Block Assembly

Revision :A Revision Date: 04-01-89 Effective As of: 08-10-91

ITEM	1...5...10	PART#.....	DESCRIPTION.....	QTY
1	1.....	N.S.S.	INFEEED SUPPORT BLOCK	1 EA
2	1.....	DA12100	PIN,DOWEL	AR EA

N.S.S. = NOT SOLD SEPARATELY



GPD

Infeed Block Assembly No. 809-4-200



BOM15

Bill of Material for Assembly 810-9-34
120V 50/60HZ Control Unit

Revision :A Revision Date: 06-01-96 Effective As of: 06-01-96

ITEM	1...5...10	PART#.....	DESCRIPTION.....	QTY
1	1.....	2100-0124	CONNECTOR, TERMINAL	9 EA
2	1.....	1400-0005	FRONT PANEL CF8	1 EA
3	1.....	2200-0008	SPEED CONTROL 120V 60HZ	1 EA
4	1.....	2450-0015	PILOT LIGHT 110V ORANGE	1 EA
5	1.....	2450-0017	PILOT LIGHT 110V RED	1 EA
6	1.....	2800-0007	CONNECTOR AC	2 EA
7	1.....	4300-0011	FUSE,SLOW BLOW	1 EA
8	1.....	4300-0001	FUSE HOLDER,PANEL MOUNT	1 EA
9	1.....	5100-0037	SWITCH,TOGGLE	1 EA
10	1.....	2400-0006	KNOB 1/4" SHAFT	1 EA
11	1.....	5100-0024	SWITCH,PUSH BUTTON	1 EA
12	1.....	2800-0028	WIRE TIES	2 EA
13	1.....	2100-0122	CONNECTOR, TERMINAL	AR EA
14	1.....	2800-0029	STICK DOWN PADS 1/2"	AR EA
15	1.....	6000-20-HU-BRN	WIRE, 20AWG HOOKUP/BROWN	AR IN
16	1.....	6000-20-HU-RED	WIRE, 20AWG HOOKUP/RED	AR IN
17	1.....	6000-20-HU-ORN	WIRE, 20AWG HOOKUP/ORANGE	AR IN
18	1.....	6000-20-HU-YEL	WIRE, 20AWG HOOKUP/YELLOW	AR IN
19	1.....	6000-20-HU-GRN	WIRE, 20AWG HOOKUP/GREEN	AR IN
20	1.....	6000-20-HU-BLU	WIRE, 20AWG HOOKUP/BLU	AR IN
21	1.....	6000-20-HU-WHT	WIRE, 20AWG HOOKUP/WHITE	AR IN
22	1.....	2100-0167	CONNECTOR,TERMINAL	1 EA
23	1.....	2100-0143	CONNECTOR,TERMINAL	4 EA
24	1.....	SPPAL0632037	SCR.P.PN.STL	4 EA
25	1.....	NSLA0632	NUT,LOCK	4 EA

N.S.S. = NOT SOLD SEPARATELY

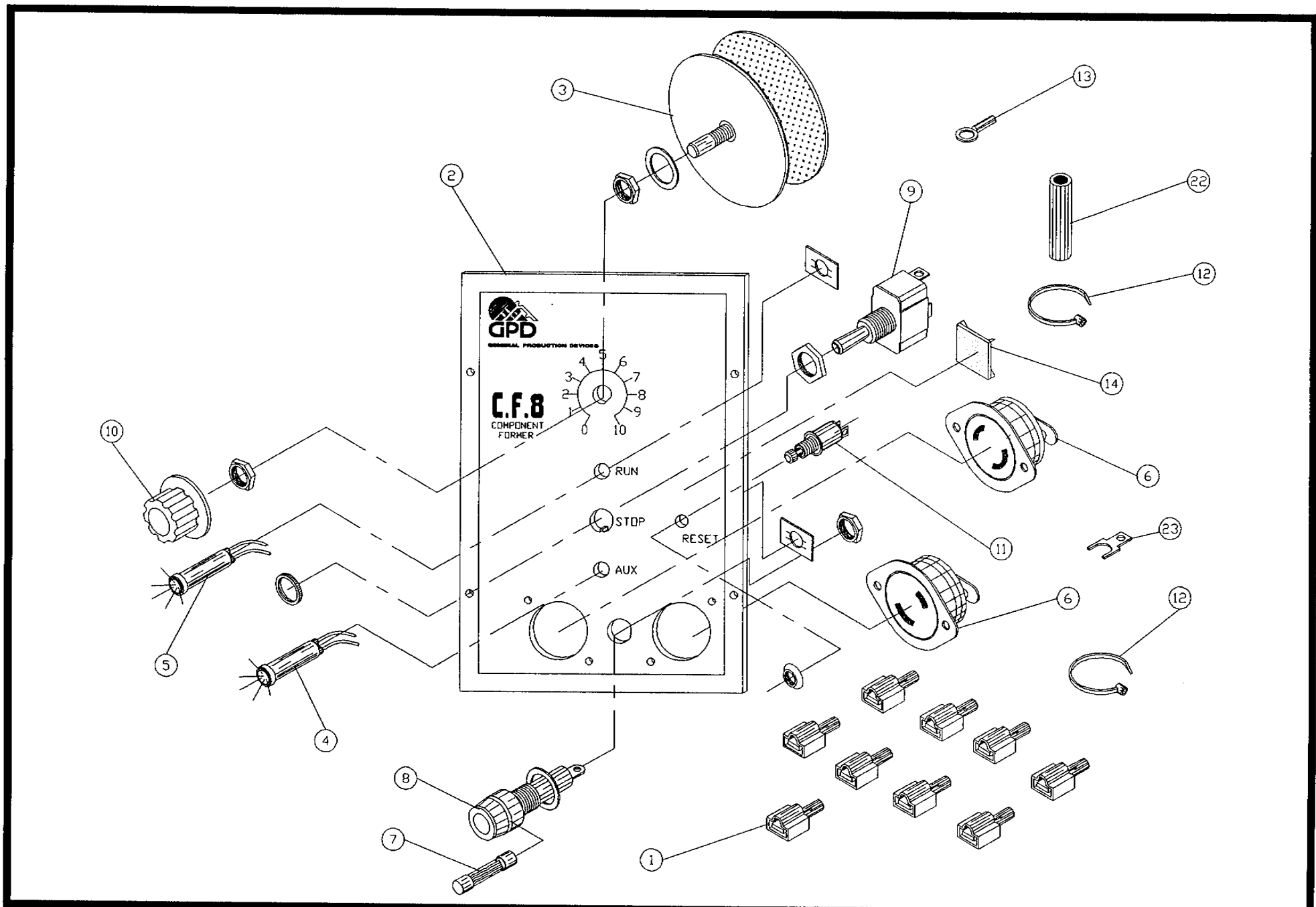
BOM15

Bill of Material for Assembly 810-9-35
230V 50HZ Control Unit

Revision :A Revision Date: 06-01-96 Effective As of: 06-01-96

ITEM	1...5...10	PART#.....	DESCRIPTION.....	QTY
1	1.....	2100-0124	CONNECTOR, TERMINAL	9 EA
2	1.....	1400-0005	FRONT PANEL CF8	1 EA
3	1.....	2200-0014	SPEED CONTROL 230V 50HZ	1 EA
4	1.....	2450-0016	AMBER INDICATOR 36HN2313	1 EA
5	1.....	2450-0018	RED INDICATOR 36HN2311	1 EA
6	1.....	2800-0007	CONNECTOR AC	2 EA
7	1.....	4300-0012	FUSE,SLOW BLOW	1 EA
8	1.....	4300-0001	FUSE HOLDER,PANEL MOUNT	1 EA
9	1.....	5100-0037	SWITCH,TOGGLE	1 EA
10	1.....	2400-0006	KNOB 1/4" SHAFT	1 EA
11	1.....	5100-0024	SWITCH,PUSH BUTTON	1 EA
12	1.....	2800-0028	WIRE TIES	2 EA
13	1.....	2100-0122	CONNECTOR, TERMINAL	AR EA
14	1.....	2800-0029	STICK DOWN PADS 1/2"	AR EA
15	1.....	6000-20-HU-BRN	WIRE, 20AWG HOOKUP/BROWN	AR IN
16	1.....	6000-20-HU-RED	WIRE, 20AWG HOOKUP/RED	AR IN
17	1.....	6000-20-HU-ORN	WIRE, 20AWG HOOKUP/ORANGE	AR IN
18	1.....	6000-20-HU-YEL	WIRE, 20AWG HOOKUP/YELLOW	AR IN
19	1.....	6000-20-HU-GRN	WIRE, 20AWG HOOKUP/GREEN	AR IN
20	1.....	6000-20-HU-BLU	WIRE, 20AWG HOOKUP/BLU	AR IN
21	1.....	6000-20-HU-WHT	WIRE, 20AWG HOOKUP/WHITE	AR IN
22	1.....	2100-0167	CONNECTOR,TERMINAL	1 EA
23	1.....	2100-0143	CONNECTOR,TERMINAL	4 EA

N.S.S. = NOT SOLD SEPARATELY



GPD

230V 50HZ Control Unit No. 810-9-35



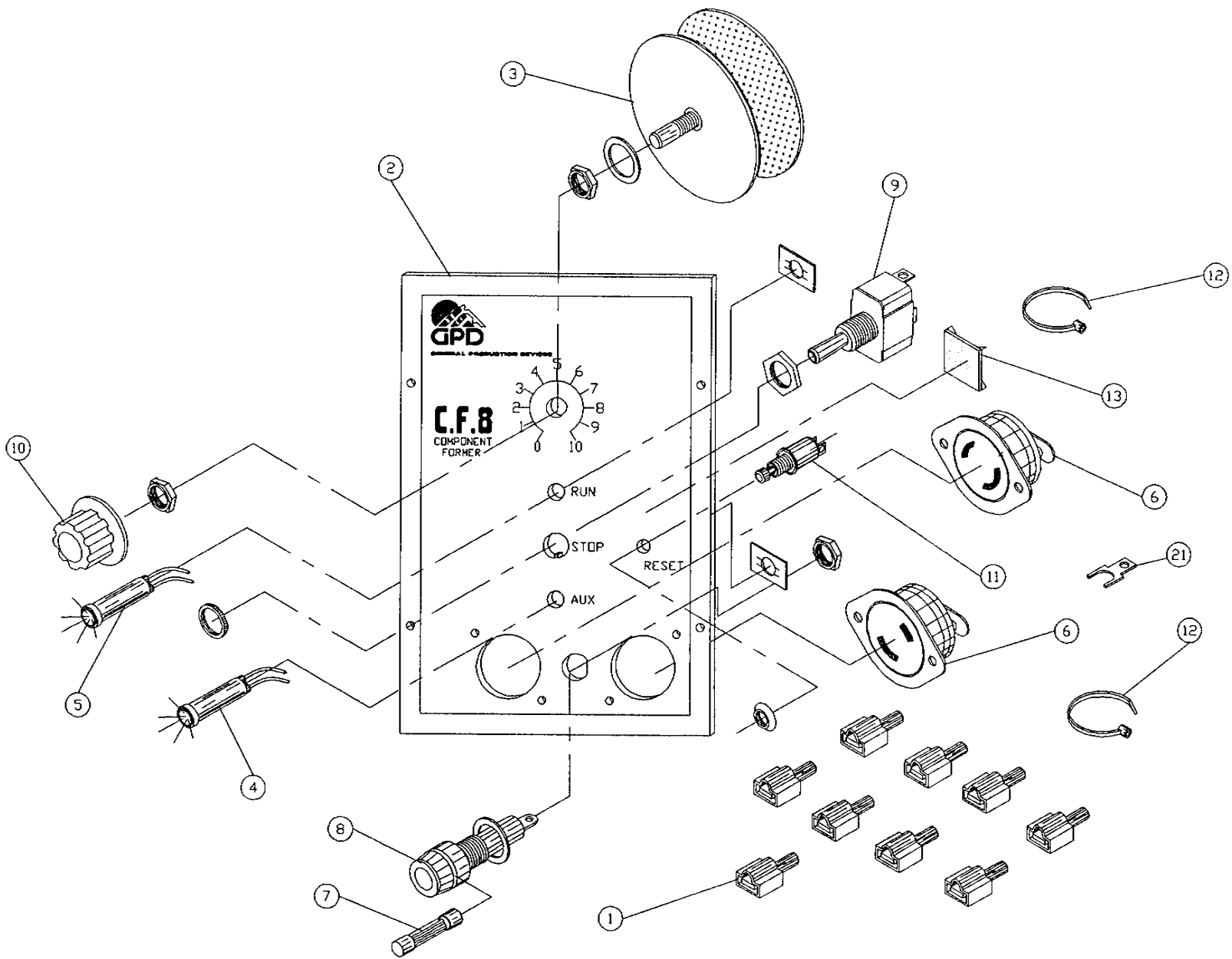
BOM15

Bill of Material for Assembly 810-9-36
100V 50HZ Control Unit

Revision :A Revision Date: 06-01-96 Effective As of: 06-01-96

ITEM	1...5...10	PART#.....	DESCRIPTION.....	QTY
1	1.....	2100-0124	CONNECTOR, TERMINAL	9 EA
2	1.....	1400-0005	CF8 FRONT PANEL	1 EA
3	1.....	2200-0008	SPEED CONTROL 120V 60HZ	1 EA
4	1.....	2450-0015	PILOT LIGHT 110V ORANGE	1 EA
5	1.....	2450-0017	PILOT LIGHT 110V RED	1 EA
6	1.....	2800-0007	RECEPTACLE TWIST LOCK	2 EA
7	1.....	4300-0011	FUSE MDL 3 AMP	1 EA
8	1.....	4300-0001	FUSE HOLDER,PANEL MOUNT	1 EA
9	1.....	5100-0037	SWITCH TOGGLE	1 EA
10	1.....	2400-0006	KNOB 1/4" SHAFT	1 EA
11	1.....	5100-0024	RESET BUTTON	1 EA
12	1.....	2800-0028	WIRE TIES	2 EA
13	1.....	2800-0029	STICK DOWN PADS 1/2"	AR EA
14	1.....	6000-20-HU-BRN	WIRE, 20AWG HOOKUP/BROWN	AR IN
15	1.....	6000-20-HU-RED	WIRE, 20AWG HOOKUP/RED	AR IN
16	1.....	6000-20-HU-ORN	WIRE, 20AWG HOOKUP/ORANGE	AR IN
17	1.....	6000-20-HU-YEL	WIRE, 20AWG HOOKUP/YELLOW	AR IN
18	1.....	6000-20-HU-GRN	WIRE, 20AWG HOOKUP/GREEN	AR IN
19	1.....	6000-20-HU-BLU	WIRE, 20AWG HOOKUP/BLU	AR IN
20	1.....	6000-20-HU-WHT	WIRE, 20AWG HOOKUP/WHITE	AR IN
21	1.....	2100-0143	CONNECTOR,TERMIANAL	4 EA

N.S.S. = NOT SOLD SEPARATELY



GPD

100V 50HZ Control Unit No. 810-9-36



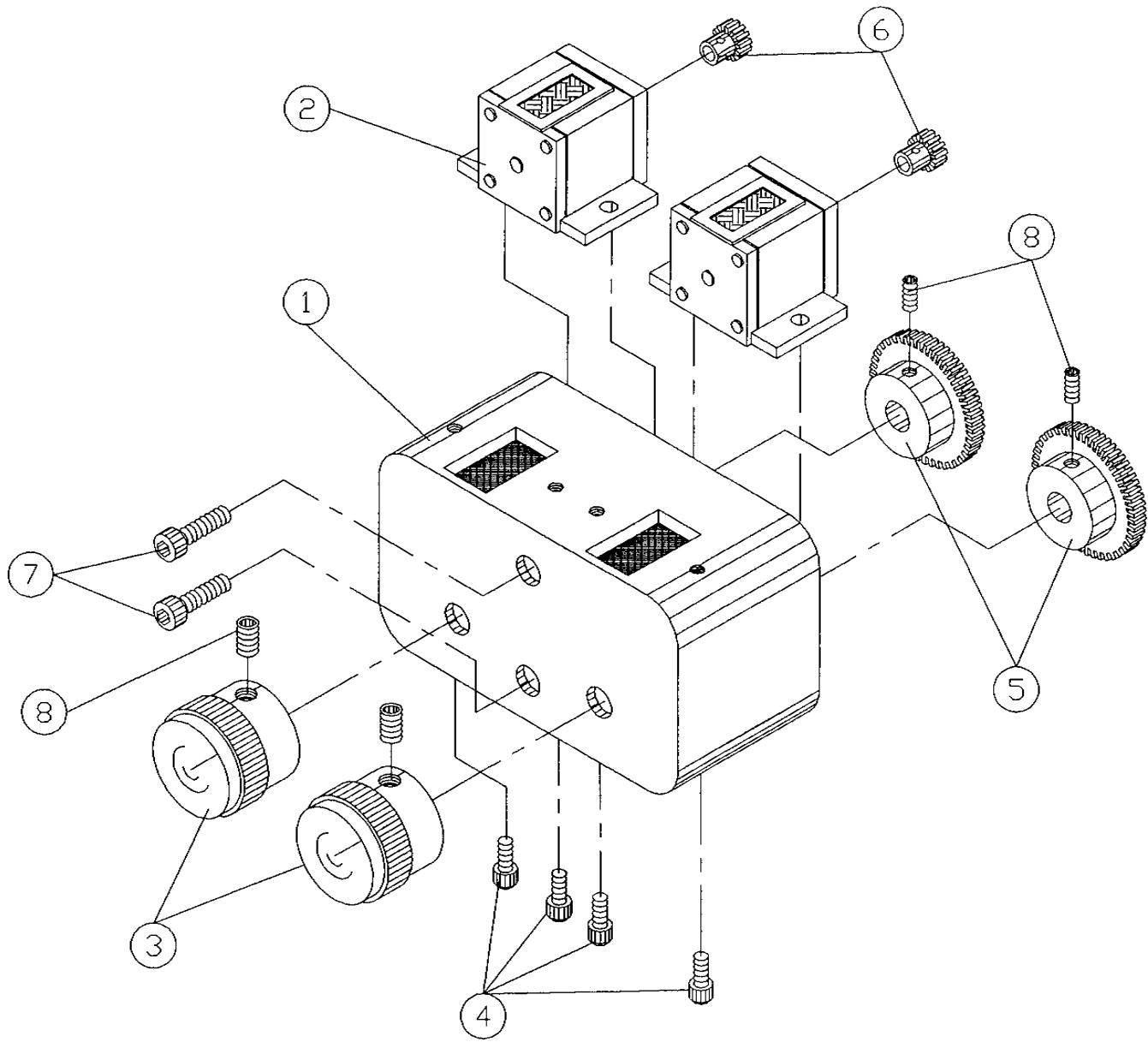
BOM15

Bill of Material for Assembly 813-1-108
Counter Box 4&5, 6&7 Assembly

Revision :A Revision Date: 06-01-96 Effective As of: 06-01-96

ITEM	1...5...10	PART#.....	DESCRIPTION.....	QTY
1	1.....	813-1-3	COUNTER BOX	1 EA
2	1.....	813-1-4	V/R COUNTER 745845-001	2 EA
3	1.....	813-1-5	KNOB ADJUSTMENT	2 EA
4	1.....	SACAN0440025	SCREW,ALLEN,CAP	AR EA
5	1.....	813-1-2	GEAR, SS	2 EA
6	1.....	813-1-1	GEAR, BRASS	2 EA
7	1.....	SACAN0632087	SCREW,ALLEN,CAP	AR EA
8	1.....	TACAN0632018	SET.A.CU.STL.	AR EA

N.S.S. = NOT SOLD SEPARATELY



GPD

Counter Box 4&5, 6&7 Assembly No. 813-1-108

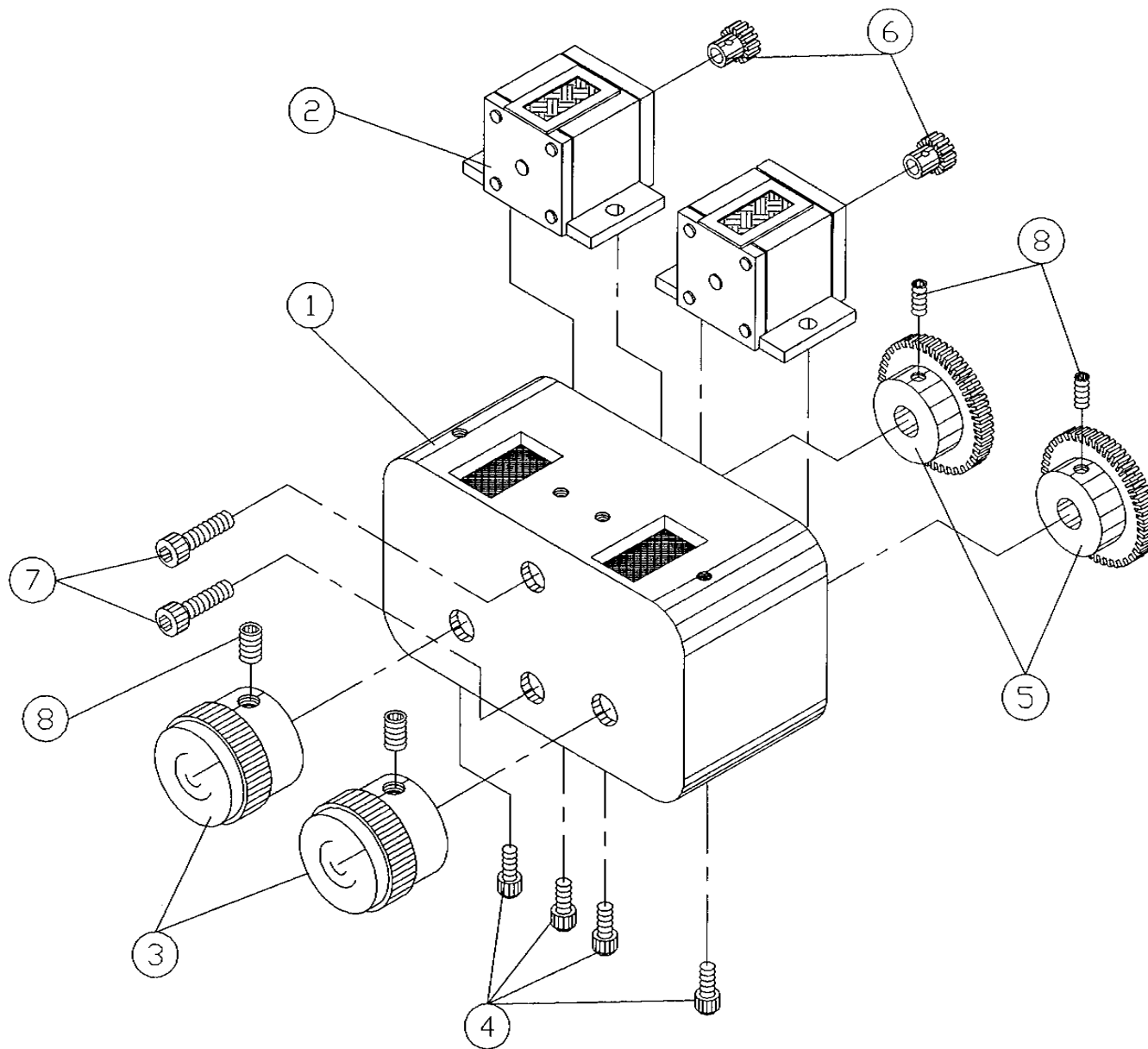


BOM15 Bill of Material for Assembly 813-1-108-MET
 Counter Box 4&5, 6&7 Metric Assembly

Revision :A Revision Date: 06-01-96 Effective As of: 06-01-96

ITEM	1...5...10	PART#.....	DESCRIPTION.....	QTY
1	1.....	813-1-3	COUNTER BOX	1 EA
2	1.....	813-1-4	V/R COUNTER 745845-001	2 EA
3	1.....	813-1-5	KNOB ADJUSTMENT	2 EA
4	1.....	SACAN0440025	SCREW,ALLEN,CAP	AR EA
5	1.....	813-1-2M	GEAR LARGE METRIC	2 EA
6	1.....	813-1-1M	GEAR SMALL METRIC	2 EA
7	1.....	SACAN0632087	SCREW,ALLEN,CAP	AR EA
8	1.....	TACAN0632018	SET.A.CU.STL.	AR EA

N.S.S. = NOT SOLD SEPARATELY



GPD

Counter Box 4&5, 6&7 Metric Assembly No. 813-1-108-MET



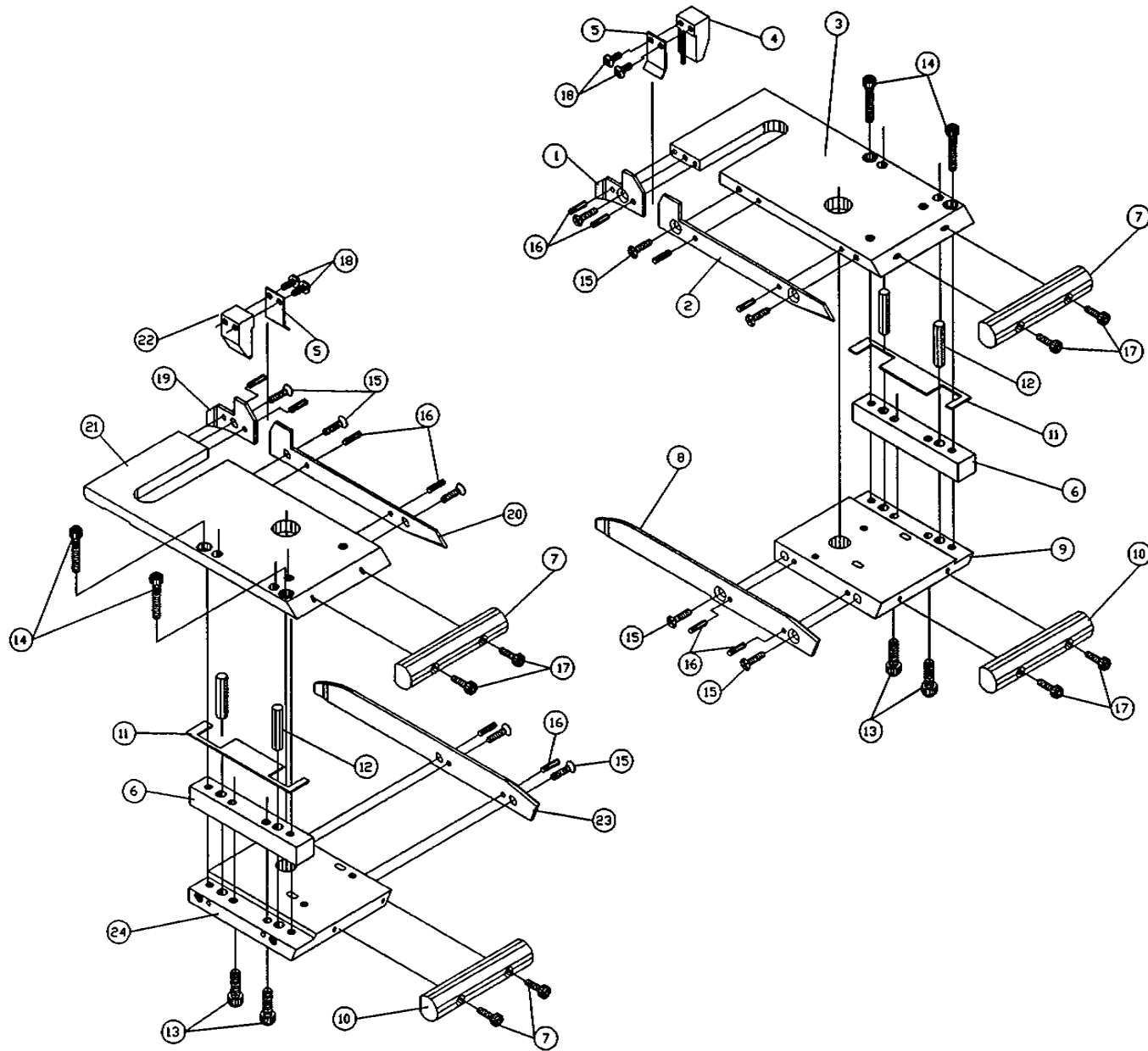
BOM15

Bill of Material for Assembly 816-2-100
Dual Infeed Chute Assembly

Revision :A Revision Date: 06-01-96 Effective As of: 06-01-96

ITEM	1...5...10	PART#.....	DESCRIPTION.....	QTY
1	1.....	816-1-10R	TOP FRONT GUIDE DUAL	1 EA
2	1.....	816-1-11R	TOP REAR GUIDE DUAL	1 EA
3	1.....	816-1-12R	DUAL INFEED TOP PLATE	1 EA
4	1.....	N.S.S.	INFEED CHUTE PLUG RIGHT	1 EA
5	1.....	N.S.S.	SPACER (SPRING STEEL)	2 EA
6	1.....	816-1-3	GAUGE SPACER	2 EA
7	1.....	816-1-4	TOP GDE INFEED CHUTE	2 EA
8	1.....	816-1-5R	BOTTOM BLADE, RIGHT	1 EA
9	1.....	816-1-6R	BTM BLK INFEED CHUTE	1 EA
10	1.....	816-1-7	BTM GDE INFEED CHUTE	2 EA
11	1.....	816-1-9	SHIM SPACER	2 EA
12	1.....	DA18087	PIN,DOWEL	AR EA
13	1.....	SACAN0632050	SCREW,ALLEN,CAP	AR EA
14	1.....	SACAN0632075	SCREW,ALLEN,CAP	AR EA
15	1.....	SAFAN0440025	SCREW,ALLEN,FLATHEAD	AR EA
16	1.....	RPAS09037	PIN,ROLL	AR EA
17	1.....	SACAN0440037	SCREW,ALLEN,CAP	AR EA
18	1.....	SABAN0440025	SCREW,ALLEN,BUTTON	AR EA
19	1.....	816-1-10L	TOP FRONT GUIDE DUAL	1 EA
20	1.....	816-1-11L	TOP REAR GUIDE DUAL	1 EA
21	1.....	816-1-12L	DUAL INFEED TOP PLATE	1 EA
22	1.....	N.S.S.	INFEED CHUTE PLUG LEFT	1 EA
23	1.....	816-1-5L	BOTTOM BLADE, LEFT	1 EA
24	1.....	816-1-6L	BTM BLK INFEED CHUTE	1 EA
25	1.....	IP513	INSPECT FORM,DUAL INFEED CHUTES	1 EA

N.S.S. = NOT SOLD SEPARATELY



GPD

Dual Infeed Chute Assembly No. 816-2-100



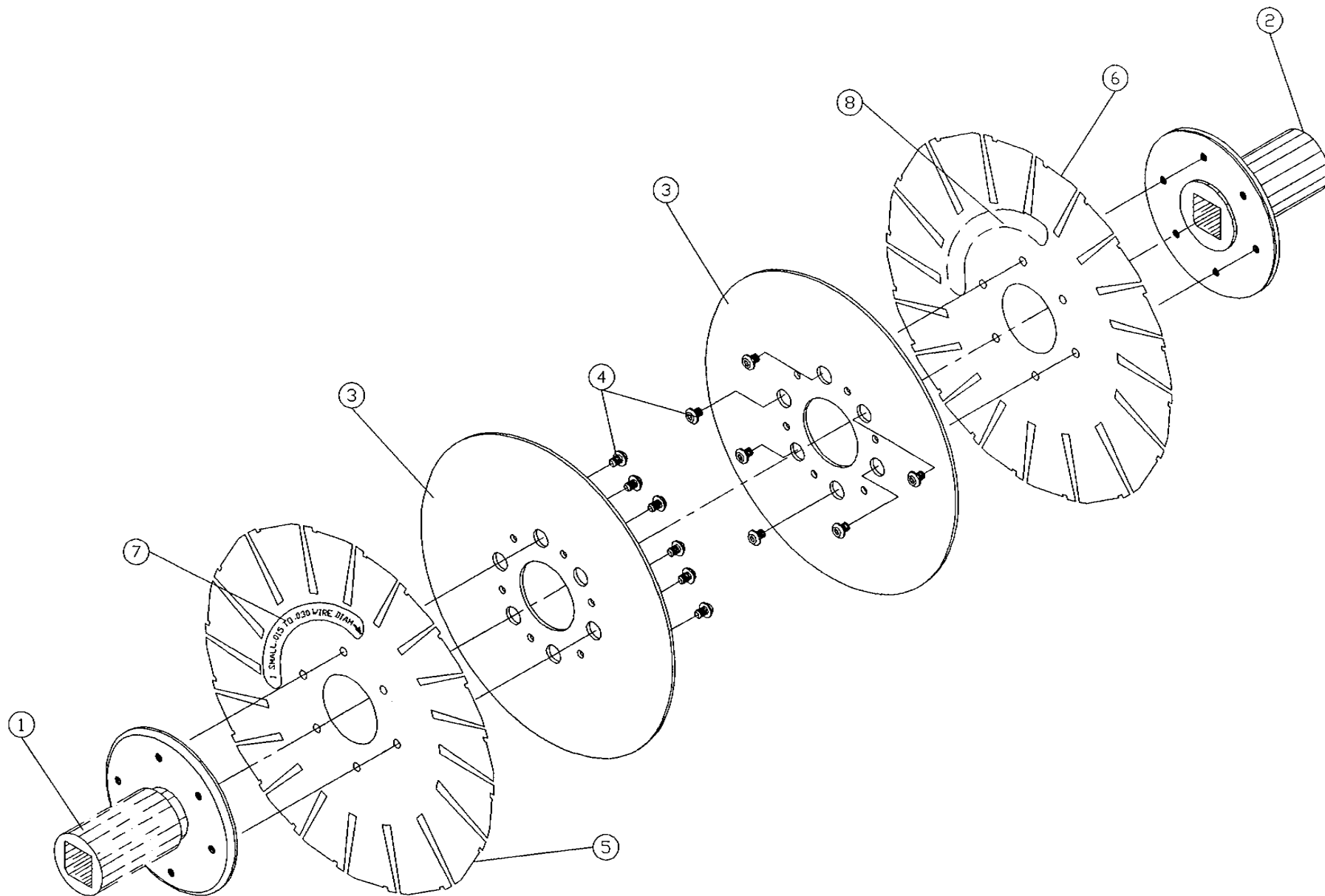
BOM15

Bill of Material for Assembly 817-1-200
 Transport Wheel System Small

Revision :A Revision Date: 08-23-96 Effective As of: 08-23-96

ITEM	1...5...10	PART#.....	DESCRIPTION.....	QTY
1	1.....	817-1-2	TRANSPORT WHEEL HUB, LEFT	1 EA
2	1.....	817-1-2A	TRANSPORT WHEEL HUB,RIGHT	1 EA
3	1.....	817-1-3	WHEEL HOLDER	2 EA
4	1.....	817-1-14	HOLDER SCREW	12 EA
5	1.....	**	TRANSP WHL SHIM SML (L)	1 EA
6	1.....	**	TRANSP WHL SHIM SML (R)	1 EA
7	1.....	817-1-400-L	STICKER,TRANSPORT WHEEL-LEFT	AR EA
8	1.....	817-1-400-R	STICKER,TRANSPORT WHEEL-RIGHT	AR EA

** SOLD IN PAIRS ONLY # 817-1-4S



GPD

Transport Wheel System Small No. 817-1-200

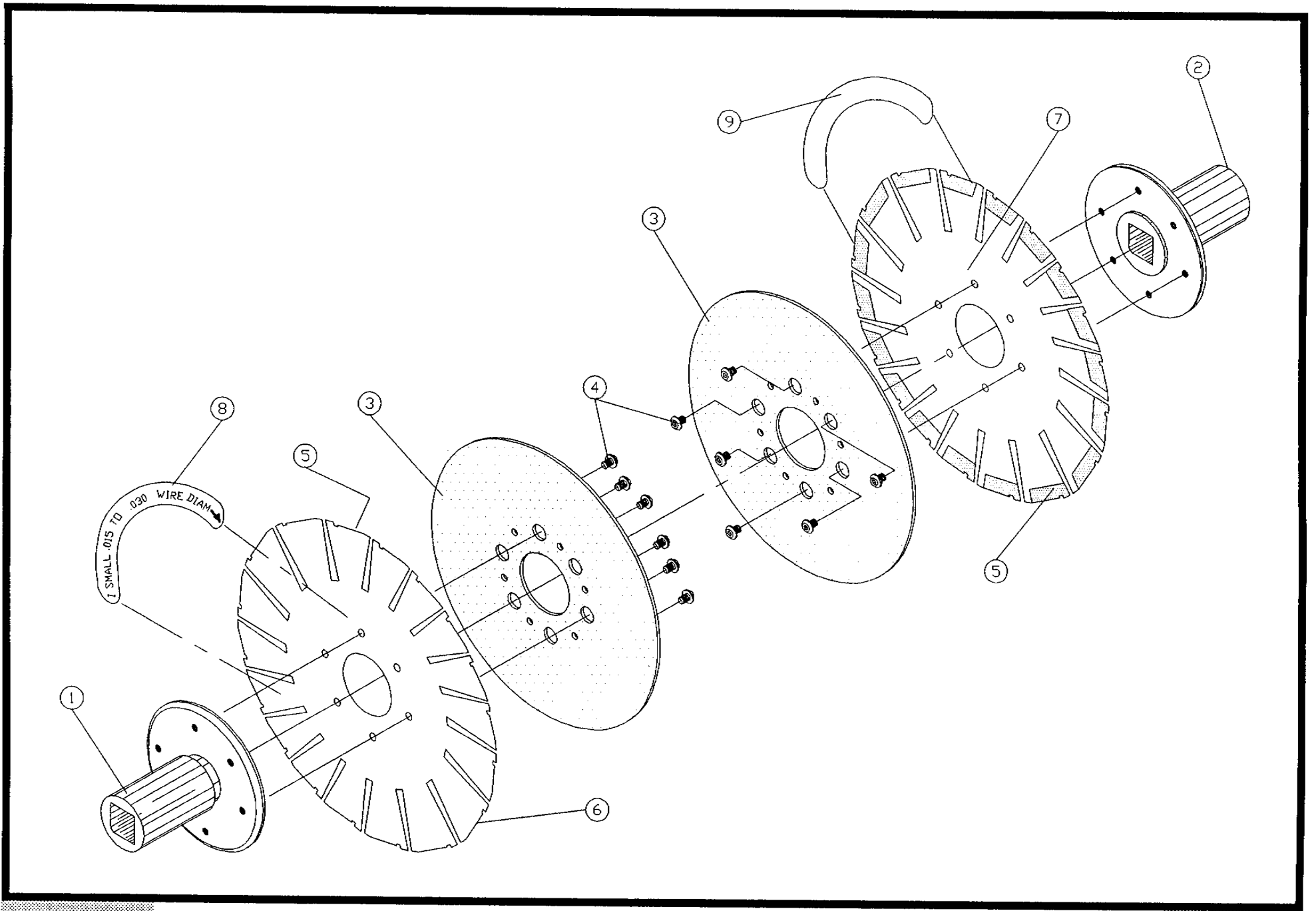


BOM15 Bill of Material for Assembly 817-1-200-RUB
 Transport Wheel System Small w/Pads

Revision :A Revision Date: 08-23-96 Effective As of: 08-23-96

ITEM	1...5...10	PART#.....	DESCRIPTION.....	QTY
1	1.....	817-1-2	TRANSPORT WHEEL HUB, LEFT	1 EA
2	1.....	817-1-2A	TRANSPORT WHEEL HUB,RIGHT	1 EA
3	1.....	817-1-3	WHEEL HOLDER	2 EA
4	1.....	817-1-14	HOLDER SCREW	12 EA
5	1.....	817-1-16	STRIPPING.RUBBER	32 EA
6	1.....	**	TRANSPT WHL SHIM SML (L)	1 EA
7	1.....	**	TRANSPT WHL SHIM SML (R)	1 EA
8	1.....	817-1-400-L	STICKER,TRANSPORT WHEEL-LEFT	AR EA
9	1.....	817-1-400-R	STICKER,TRANSPORT WHEEL-RIGHT	AR EA

** SOLD IN PAIRS ONLY # 817-1-4S-RUB



GPD

Transport Wheel System Small w/ Pads No. 817-1-200-RUB



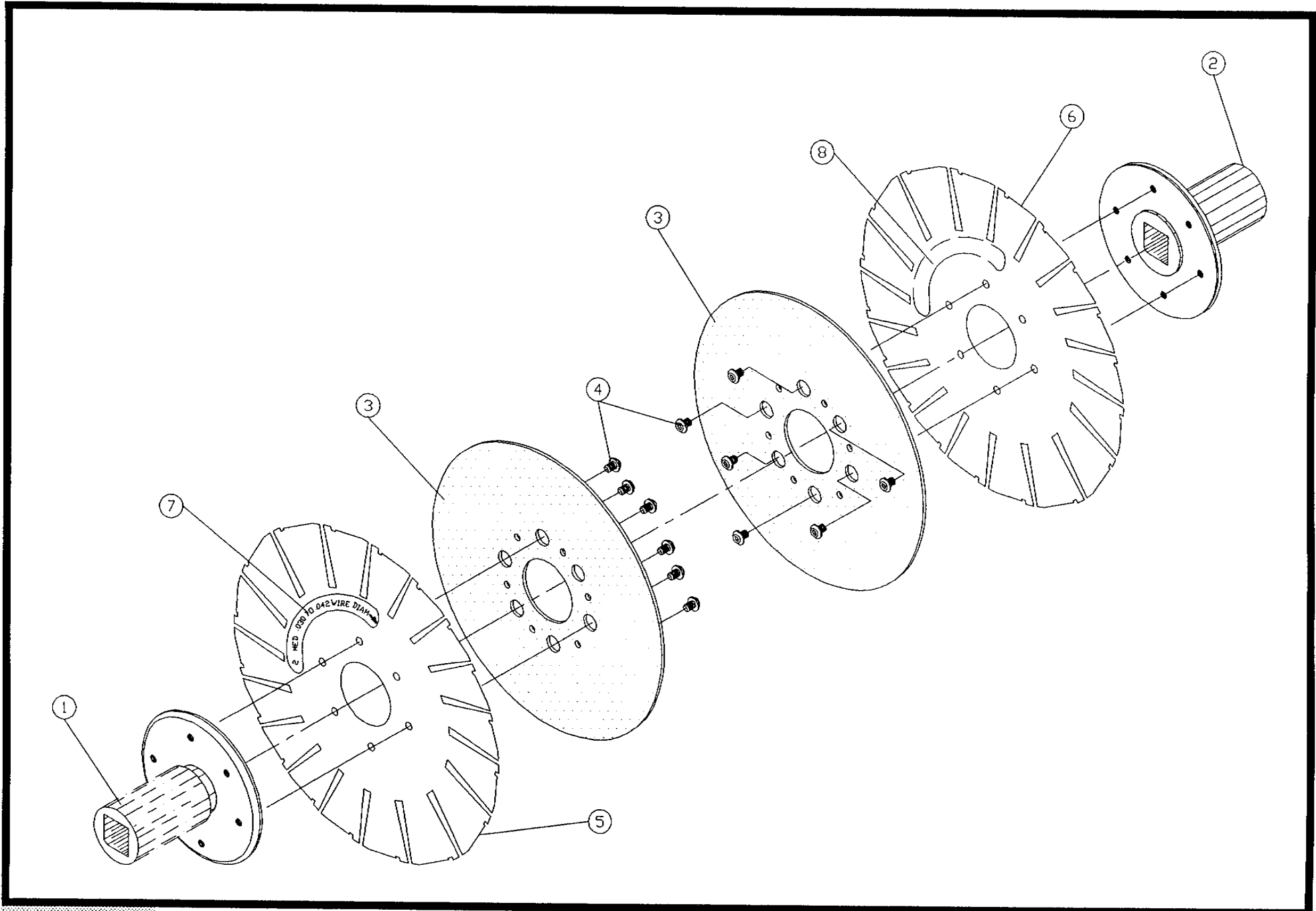
BOM15

Bill of Material for Assembly 817-1-210
 Transport Wheel System Med.

Revision :A Revision Date: 08-23-96 Effective As of: 08-23-96

ITEM	1...5...10	PART#.....	DESCRIPTION.....	QTY
1	1.....	817-1-2	TRANSPORT WHEEL HUB, LEFT	1 EA
2	1.....	817-1-2A	TRANSPORT WHEEL HUB,RIGHT	1 EA
3	1.....	817-1-3	WHEEL HOLDER	2 EA
4	1.....	817-1-14	HOLDER SCREW	12 EA
5	1.....	**	TRANSP WHL SHIM MED (L)	1 EA
6	1.....	**	TRANSP WHL SHIM MED (R)	1 EA
7	1.....	817-1-401-L	STICKER,TRANSPORT WHEEL-LEFT	AR EA
8	1.....	817-1-401-R	STICKER,TRANSPORT WHEEL-RIGHT	AR EA

** SOLD IN PAIRS ONLY # 817-1-4M



GPD

Transport Wheel System Med. No. 817-1-210

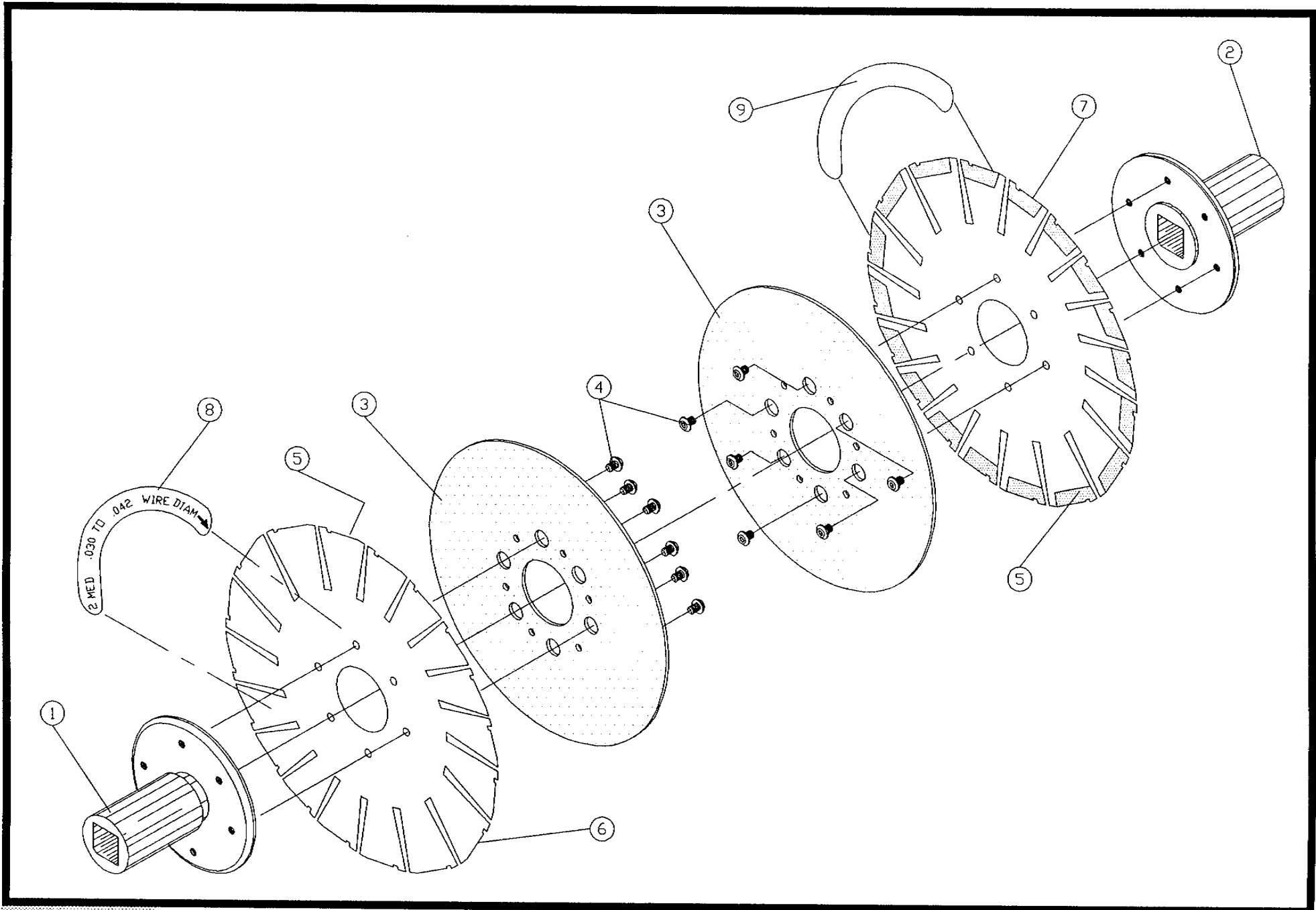


BOM15 Bill of Material for Assembly 817-1-210-RUB
 Transport Wheel System Med. w/Pads

Revision :A Revision Date: 08-23-96 Effective As of: 08-23-96

ITEM	1...5...10	PART#.....	DESCRIPTION.....	QTY
1	1.....	817-1-2	TRANSPORT WHEEL HUB, LEFT	1 EA
2	1.....	817-1-2A	TRANSPORT WHEEL HUB,RIGHT	1 EA
3	1.....	817-1-3	WHEEL HOLDER	2 EA
4	1.....	817-1-14	HOLDER SCREW	12 EA
5	1.....	817-1-16	STRIPPING.RUBBER	32 EA
6	1.....	**	TRANSPT WHL SHIM MED (L)	1 EA
7	1.....	**	TRANSPT WHL SHIM MED (R)	1 EA
8	1.....	817-1-401-L	STICKER,TRANSPORT WHEEL-LEFT	AR EA
9	1.....	817-1-401-R	STICKER,TRANSPORT WHEEL-RIGHT	AR EA

** SOLD IN PAIRS ONLY # 817-1-4M-RUB



GPD

Transport Wheel System Med. w/Pads No. 817-1-210-RUB



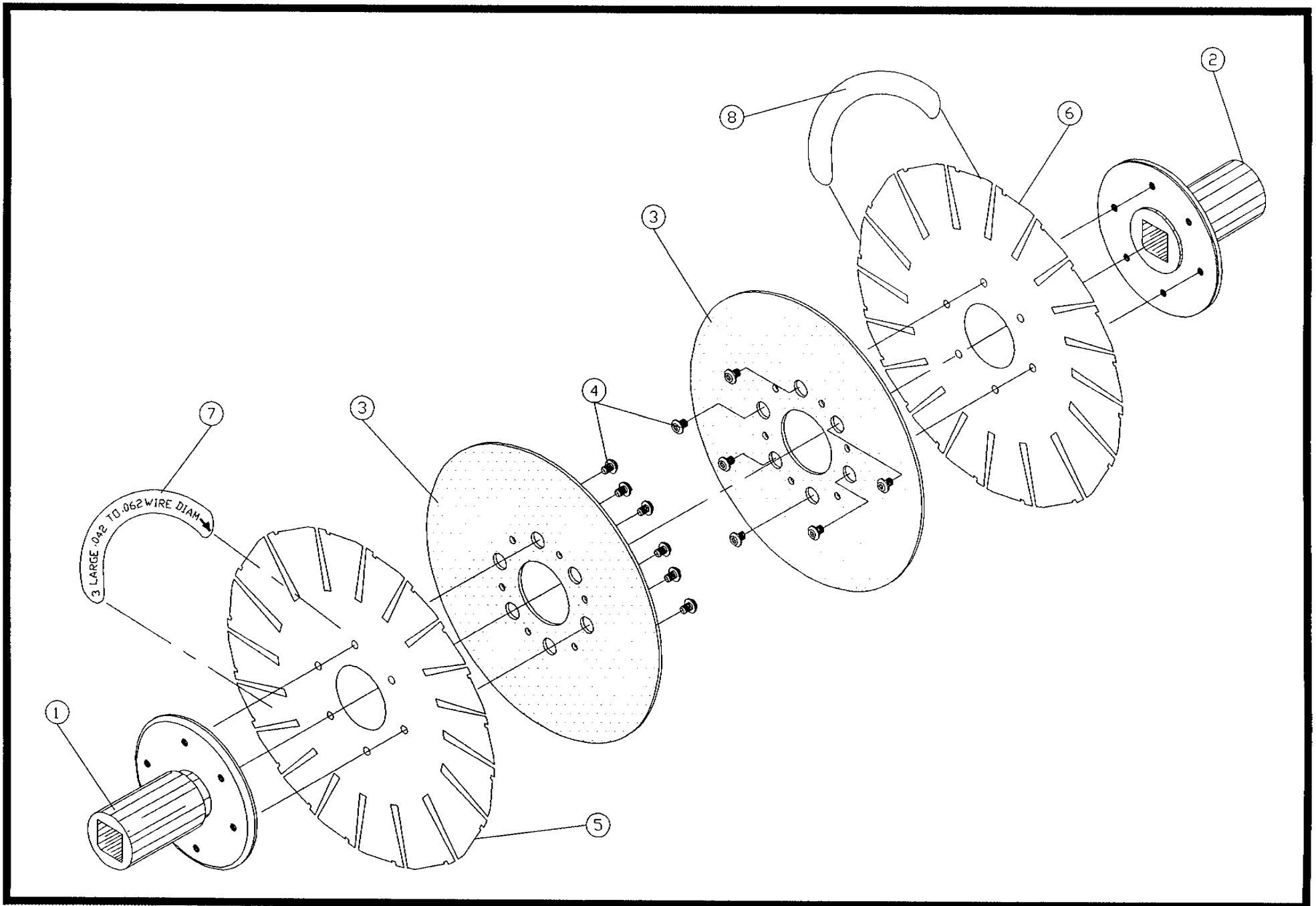
BOM15

Bill of Material for Assembly 817-1-220
 Transport Wheel System Lg.

Revision :A Revision Date: 08-23-96 Effective As of: 08-23-96

ITEM	1...5...10	PART#.....	DESCRIPTION.....	QTY
1	1.....	817-1-2	TRANSPORT WHEEL HUB, LEFT	1 EA
2	1.....	817-1-2A	TRANSPORT WHEEL HUB,RIGHT	1 EA
3	1.....	817-1-3	WHEEL HOLDER	2 EA
4	1.....	817-1-14	HOLDER SCREW	12 EA
5	1.....	**	TRANSP WHL SHIM LRG (L)	1 EA
6	1.....	**	TRANSP WHL SHIM LRG (R)	1 EA
7	1.....	817-1-402-L	STICKER,TRANSPORT WHEEL-LEFT	AR EA
8	1.....	817-1-402-R	STICKER,TRANSPORT WHEEL-RIGHT	AR EA

** SOLD IN PAIRS ONLY # 817-1-4L



GPD

Transport Wheel System Lg. No. 817-1-220

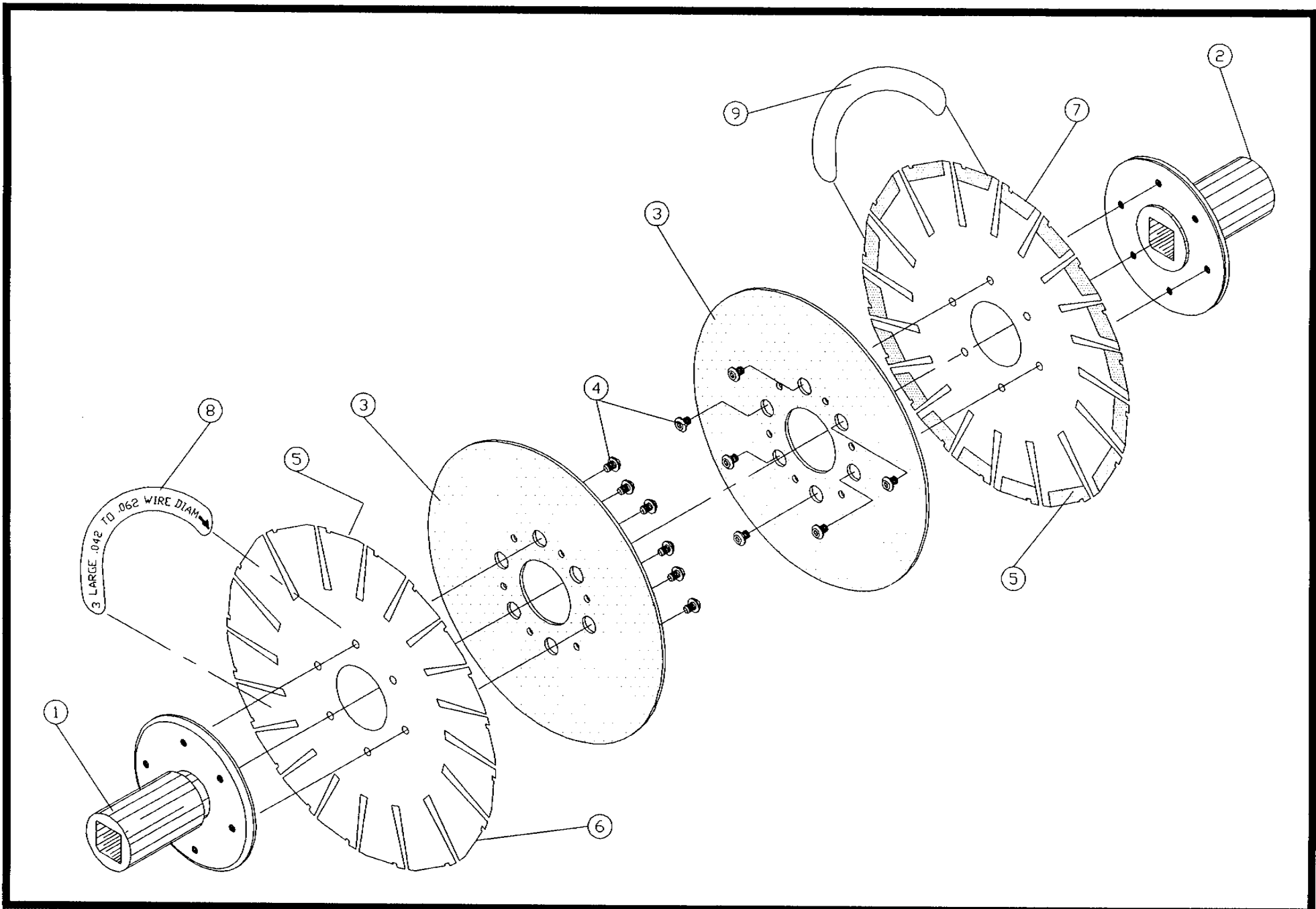


BOM15 Bill of Material for Assembly 817-1-220-RUB
 Transport Wheel System Lg. w/Pads

Revision :A Revision Date: 08-23-96 Effective As of: 08-23-96

ITEM	1...5...10	PART#.....	DESCRIPTION.....	QTY
1	1.....	817-1-2	TRANSPORT WHEEL HUB, LEFT	1 EA
2	1.....	817-1-2A	TRANSPORT WHEEL HUB,RIGHT	1 EA
3	1.....	817-1-3	WHEEL HOLDER	2 EA
4	1.....	817-1-14	HOLDER SCREW	12 EA
5	1.....	817-1-16	STRIPPING.RUBBER	36 EA
6	1.....	**	TRANSPT WHL SHIM LRG (L)	1 EA
7	1.....	**	TRANSPT WHL SHIM LRG (R)	1 EA
8	1.....	817-1-402-L	STICKER,TRANSPORT WHEEL-LEFT	AR EA
9	1.....	817-1-402-L	STICKER,TRANSPORT WHEEL-RIGHT	AR EA

** SOLD IN PAIRS ONLY # 817-1-4L-RUB



GPD

Transport Wheel System Lg. w/Pads No. 817-1-220-RUB



BOM15

Bill of Material for Assembly 818-1-100
Sideplate Assembly, Left

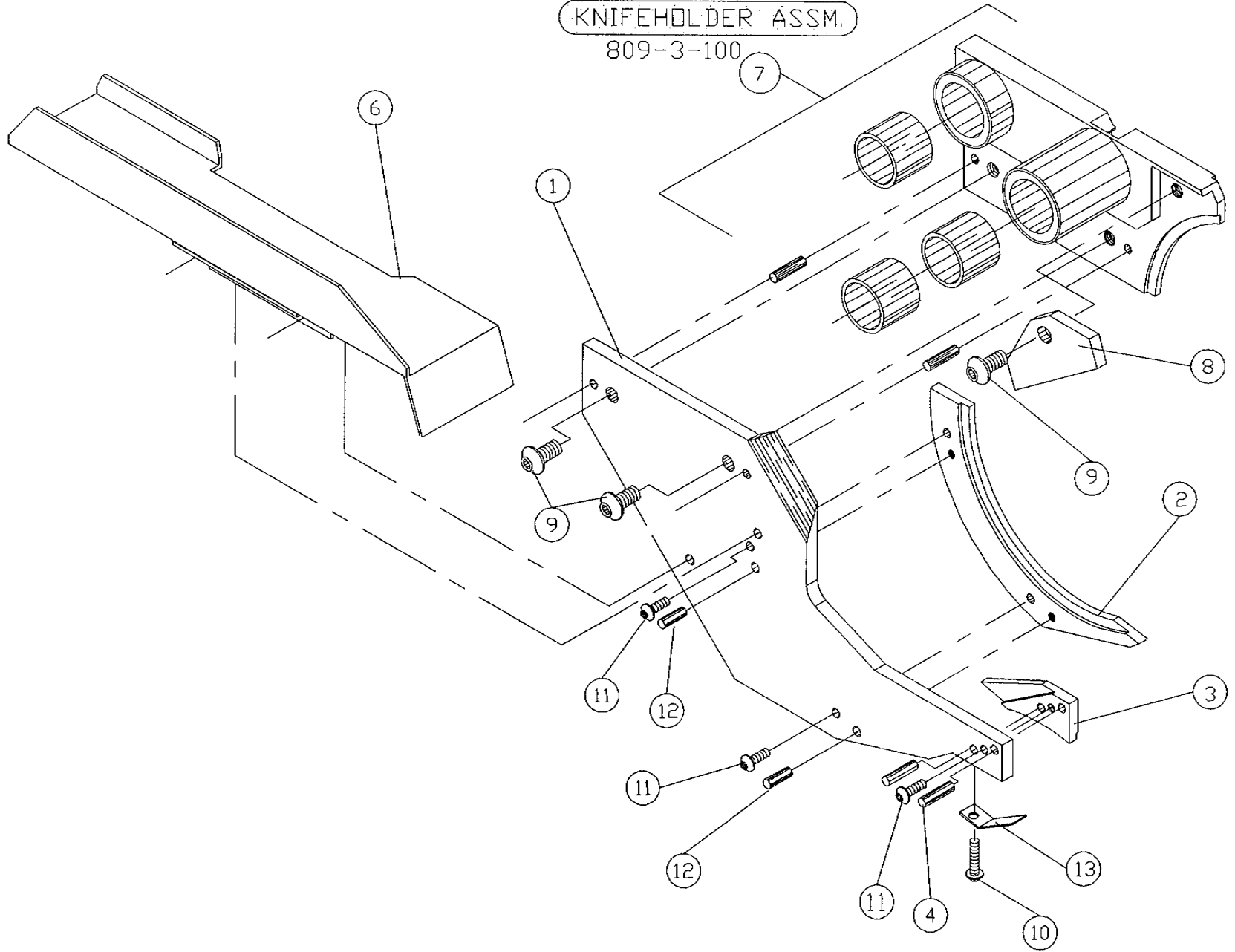
Revision :A Revision Date: 04-01-89 Effective As of: 08-10-91

ITEM	1...5...10	PART#.....	DESCRIPTION.....	QTY
1	1.....	818-1-1L	SIDE PLATE (L)	1 EA
2	1.....	818-1-2L	SEGMENT, LEFT	1 EA
3	1.....	818-1-3L	COMPONENT GUIDE, LEFT	1 EA
4	1.....	DA12050	PIN,DOWEL	AR EA
5	1.....	SACAN0440050	SCREW,ALLEN,CAP	AR EA
6	1.....	809-3-17L	EXIT CHUTE, LEFT	1 EA
7	1.....	809-3-100	KNIFEHOLDER LEFT ASSM	1 EA
8	1.....	809-4-2	CUTTING BLADE	1 EA
9	1.....	SABAN1032037	SCREW,ALLEN,BUTTON	AR EA
10	1.....	SABAN0440025	SCREW,ALLEN,BUTTON	AR EA
11	1.....	SACAN0440031	SCREW,ALLEN,CAP	AR EA
12	1.....	DA12037	PIN,DOWEL	AR EA
13	1.....	818-1-16L	COMPONENT KEEPER-LEFT	1 EA
14	1.....	SABAN0832025	SCREW,ALLEN,BUTTON	2 EA

N.S.S. = NOT SOLD SEPARATELY

KNIFEHOLDER ASSM.

809-3-100



GPD

Sideplate Assembly, Left No. 818-1-100



BOM15

Bill of Material for Assembly 818-1-200

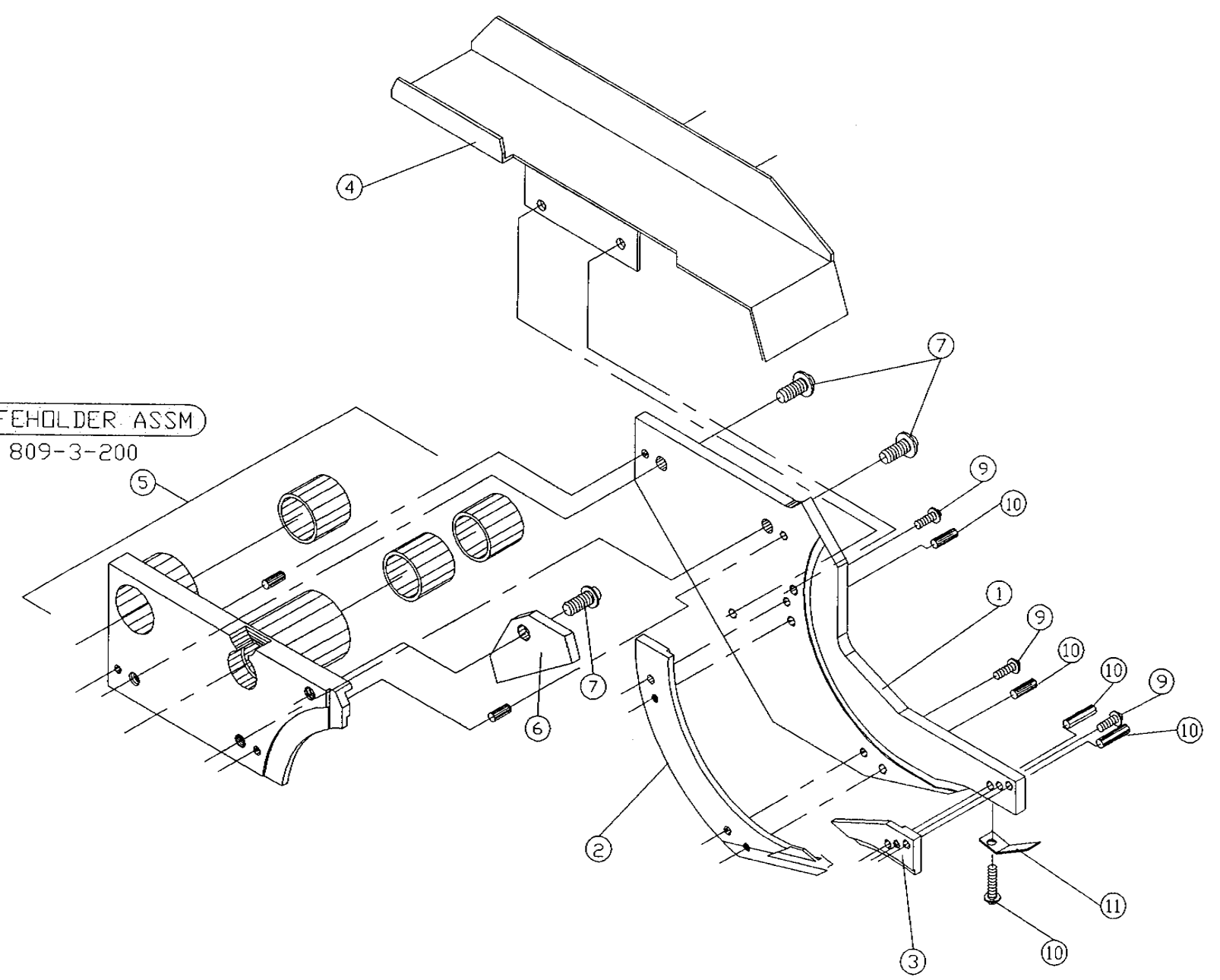
Sideplate Assembly, Right

Revision :A Revision Date: 04-01-89 Effective As of: 08-10-91

ITEM	1...5...10	PART#.....	DESCRIPTION.....	QTY
1	1.....	818-1-1R	SIDE PLATE (R)	1 EA
2	1.....	818-1-2R	SEGMENT, RIGHT	1 EA
3	1.....	818-1-3R	COMPONENT GUIDE, RIGHT	1 EA
4	1.....	809-3-17R	EXIT CHUTE, RIGHT	1 EA
5	1.....	809-3-200	KNIFEHOLDER RIGHT ASSM	1 EA
6	1.....	809-4-2	CUTTING BLADE	1 EA
7	1.....	SABAN1032037	SCREW,ALLEN,BUTTON	AR EA
8	1.....	SABAN0632025	SCREW,ALLEN,BUTTON	AR EA
9	1.....	SACAN0440031	SCREW,ALLEN,CAP	AR EA
10	1.....	SABAN0440025	SCREW,ALLEN,BUTTON	AR EA
11	1.....	818-1-16R	COMPONENT KEEPER-RIGHT	1 EA
12	1.....	SABAN0832025	SCREW,ALLEN,BUTTON	2 EA

N.S.S. = NOT SOLD SEPARATELY

KNIFEHOLDER ASSM
809-3-200



GPD

Sideplate Assembly, Right No. 818-1-200



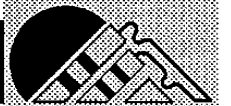
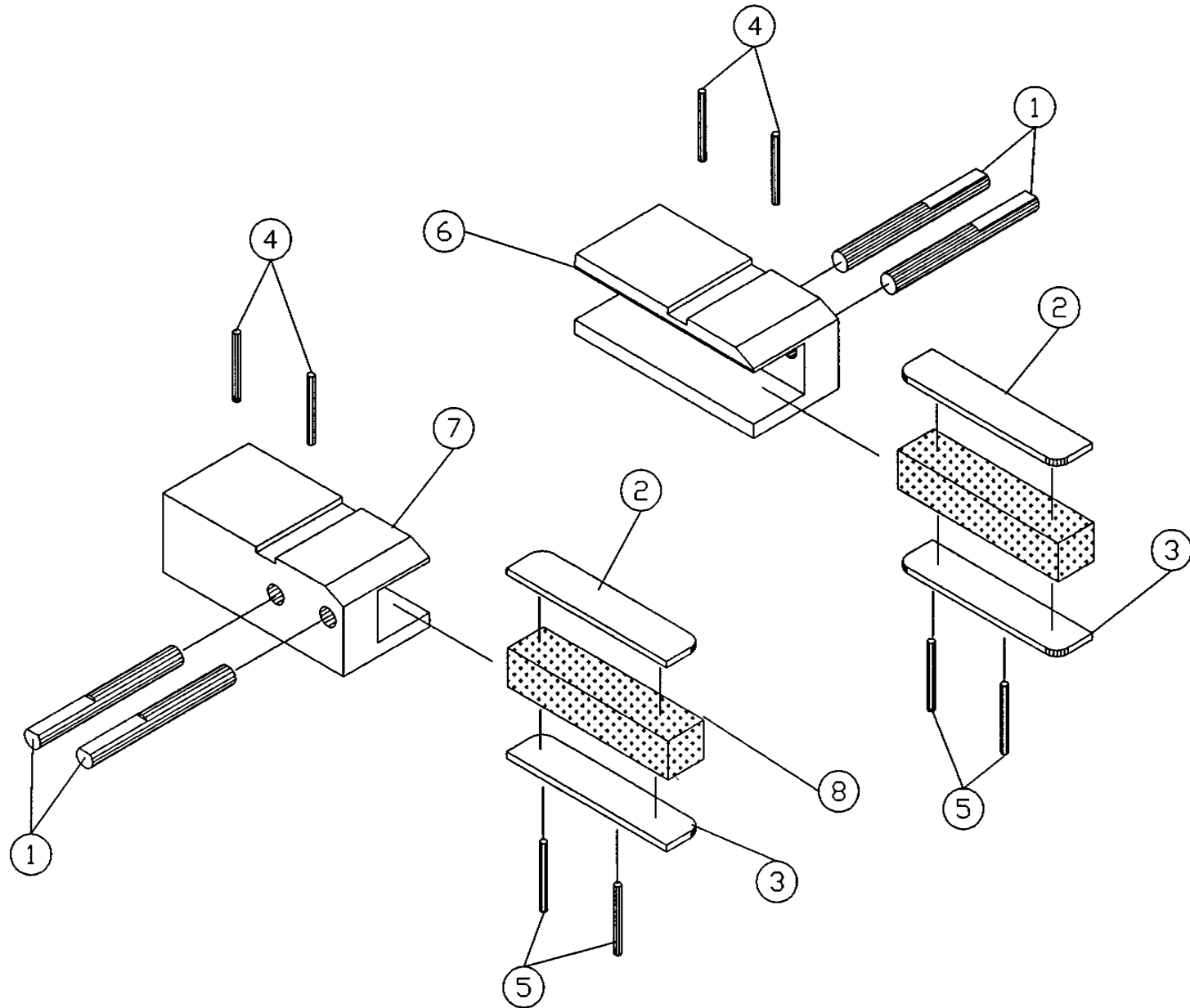
BOM15

Bill of Material for Assembly 818-1-300
Magnet Assembly

Revision :A Revision Date: 04-01-89 Effective As of: 08-10-91

ITEM	1...5...10	PART#.....	DESCRIPTION.....	QTY
1	1.....	N.S.S.	MAGNET ADJ SHAFT	4 EA
2	1.....	N.S.S.	MAGNET SIDE PLATE	2 EA
3	1.....	N.S.S.	MAGNET SIDE PLATE (14GA)	2 EA
4	1.....	N.S.S.	NON MAG PIN	4 EA
5	1.....	N.S.S.	NON MAG PIN	4 EA
6	1.....	N.S.S.	MAGNET HOLDER, RIGHT	1 EA
7	1.....	N.S.S.	MAGNET HOLDER, LEFT	1 EA
8	1.....	N.S.S.	MAGNET	2 EA

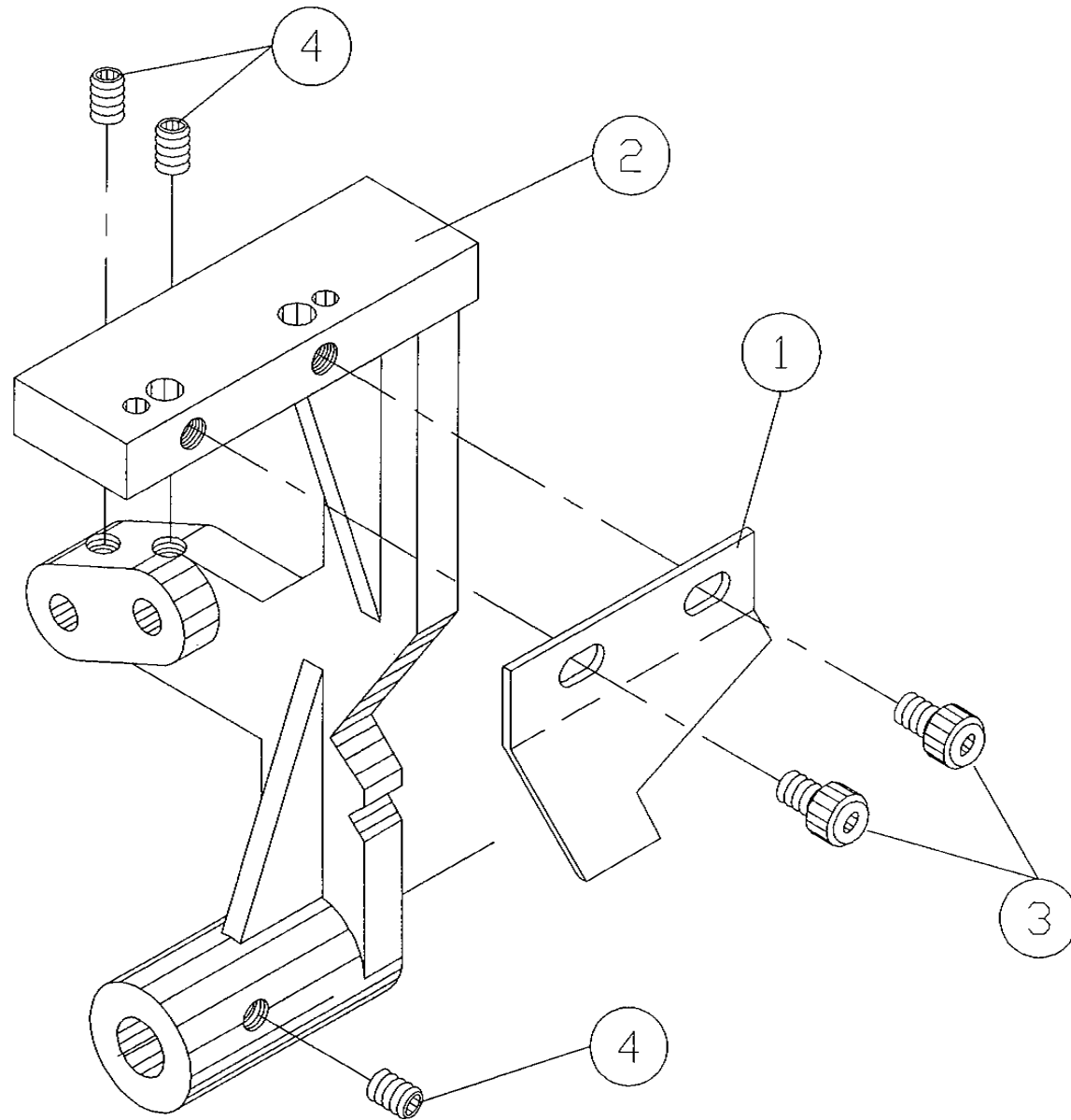
N.S.S. = NOT SOLD SEPARATELY



BOM15 Bill of Material for Assembly 818-1-400
 Infeed Block Bracket (Right) Assembly

Revision :A Revision Date: 04-01-89 Effective As of: 08-10-91

ITEM	1...5...10	PART#.....	DESCRIPTION.....	QTY
1	1.....	818-1-11R	CRIMP DIE STOP, RIGHT	1 EA
2	1.....	818-1-5R	INFEEED BLOCK BRACKET (R)	1 EA
3	1.....	SACAN0832025	SCREW,ALLEN,CAP	AR EA
4	1.....	TACAN0832018	SET.A.CU.STL.	AR EA



GPD

Infeed Block Bracket (Right) Assembly No. 818-1-400



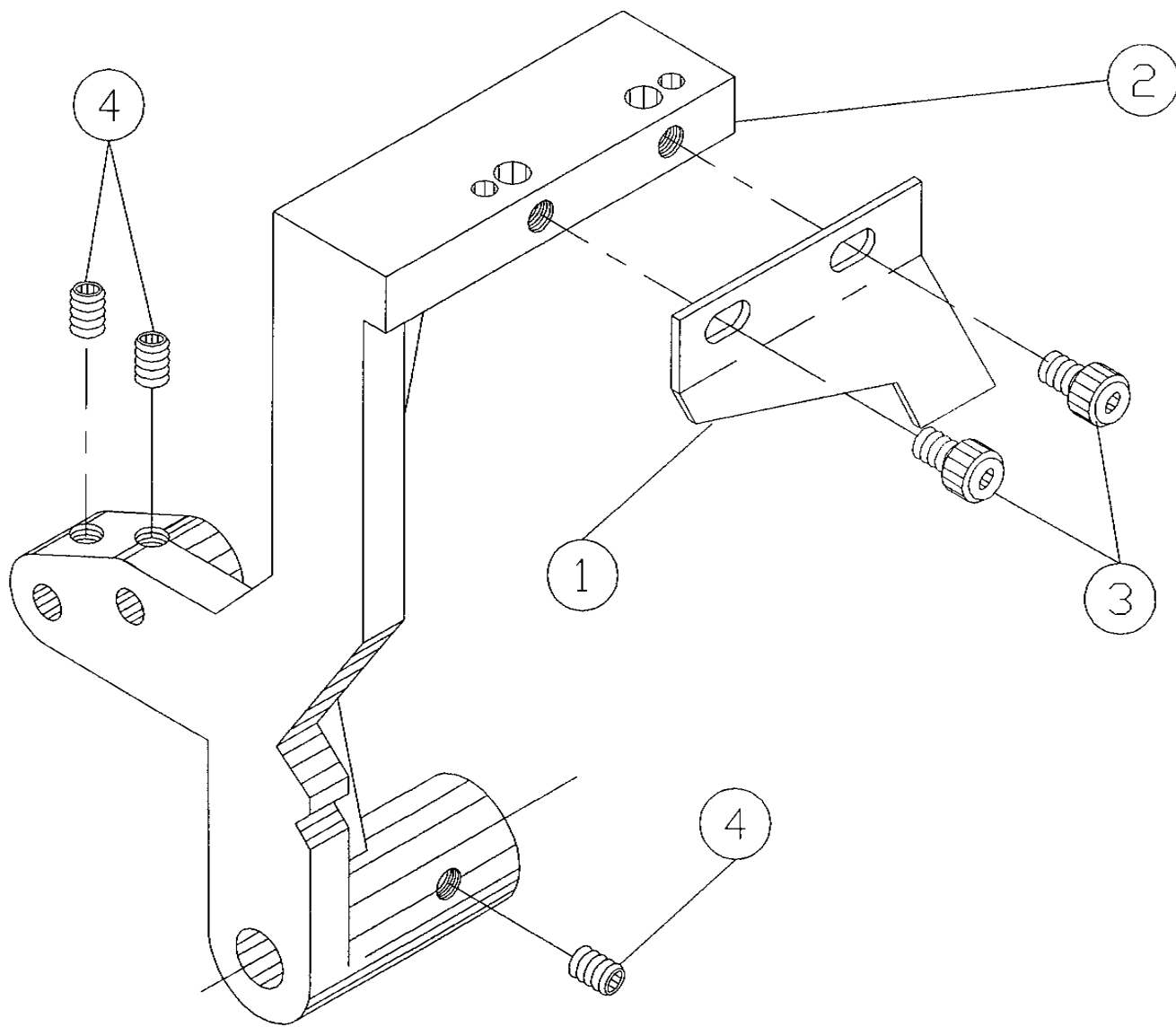
BOM15

Bill of Material for Assembly 818-1-500
 Infed Block Bracket (Left) Assembly

Revision :A Revision Date: 04-01-89 Effective As of: 08-10-91

ITEM	1...5...10	PART#.....	DESCRIPTION.....	QTY
1	1.....	818-1-11L	CRIMP DIE STOP, LEFT	1 EA
2	1.....	818-1-5L	INFED BLOCK BRACKET (L)	1 EA
3	1.....	SACAN0832025	SCREW,ALLEN,CAP	AR EA
4	1.....	TACAN0832018	SET.A.CU.STL.	AR EA

N.S.S. = NOT SOLD SEPARATELY



GPD

Infeed Block Bracket (Left) Assembly No. 818-1-500



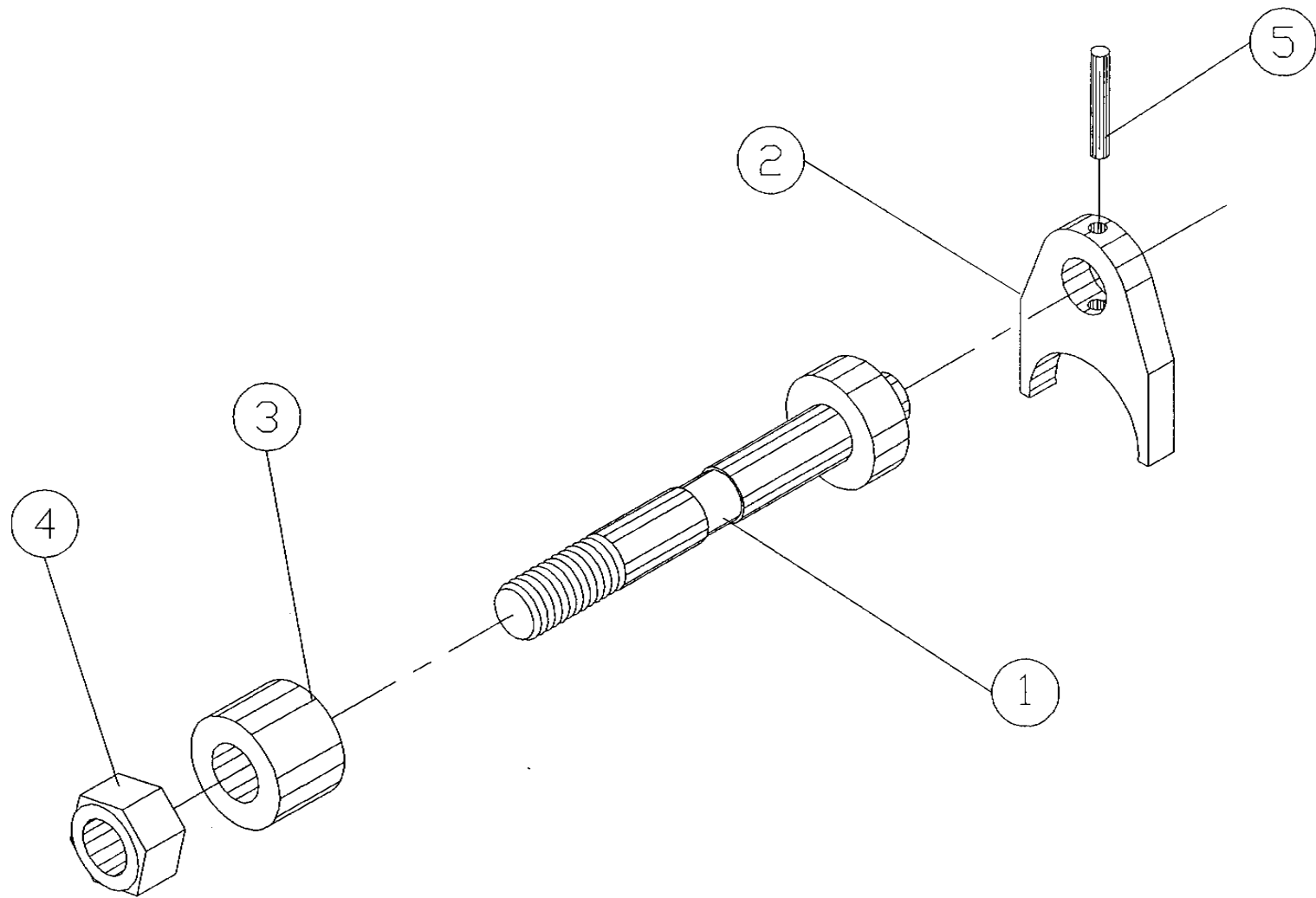
BOM15

Bill of Material for Assembly 818-1-600
 Infeed Bracket Shaft Assembly

Revision :A Revision Date: 04-01-89 Effective As of: 08-10-91

ITEM	1...5...10	PART#.....	DESCRIPTION.....	QTY
1	1.....	N.S.S.	INFEEED BRACKET SHAFT	1 EA
2	1.....	N.S.S.	HUB GUIDE	1 EA
3	1.....	818-1-8	POLYURATHANE SPRING	1 EA
4	1.....	NSIA3124	NUT,NYLON INSERT	AR EA
5	1.....	RPAS06062	PIN,ROLL	AR EA

N.S.S. = NOT SOLD SEPARATELY



GPD

Infeed Bracket Shaft Assembly No. 818-1-600



BOM15

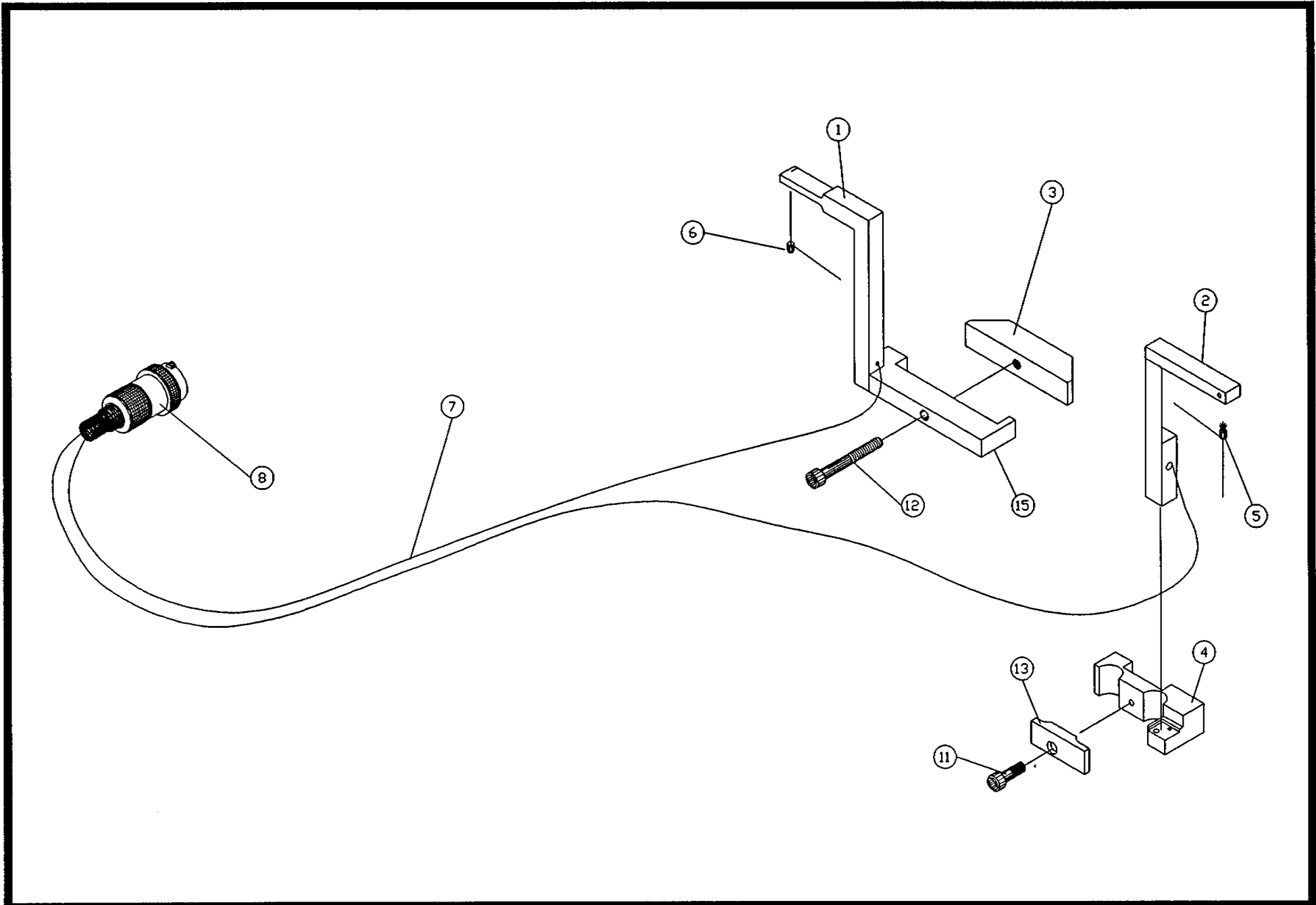
Bill of Material for Assembly 821-1-100

CF8 Counter Bracket Assembly

Revision :A Revision Date: 09-20-96 Effective As of: 09-20-96

ITEM	1...5...10	PART#.....	DESCRIPTION.....	QTY
1	1.....	N.S.S.	SENSOR MOUNT	1 EA
2	1.....	N.S.S.	SENSOR MOUNT	1 EA
3	1.....	820-1-2	SENSOR COUNTER	1 EA
4	1.....	N.S.S.	SENSOR BRACKET	1 EA
5	1.....	3700-0008	EMITTER, IR	1 EA
6	1.....	3700-0009	DETECTOR, IR	1 EA
7	1.....	6000-0015	COAXIAL WIRE RG 174/V	AR IN
8	1.....	2100-0053	CONNECTOR, MICROPHONE	1 EA
9	1.....	SACAN0632050	SCREW,ALLEN,CAP	AR EA
10	1.....	SACAN0440062	SCREW,ALLEN,CAP	AR EA
11	1.....	SACAN0832050	SCREW,ALLEN,CAP	AR EA
12	1.....	SACAN1032150	SCREW,ALLEN,CAP	AR EA
13	1.....	820-1-9	COUNTER BRACKET	1 EA
14	1.....	2800-0014	HARDWARE ELECTRICAL	1 EA
15	1.....	N.S.S.	COUNTER BRACKET	1 EA

N.S.S. = NOT SOLD SEPARATELY



GPD

CF8 Counter Bracket Assembly No. 821-1-100



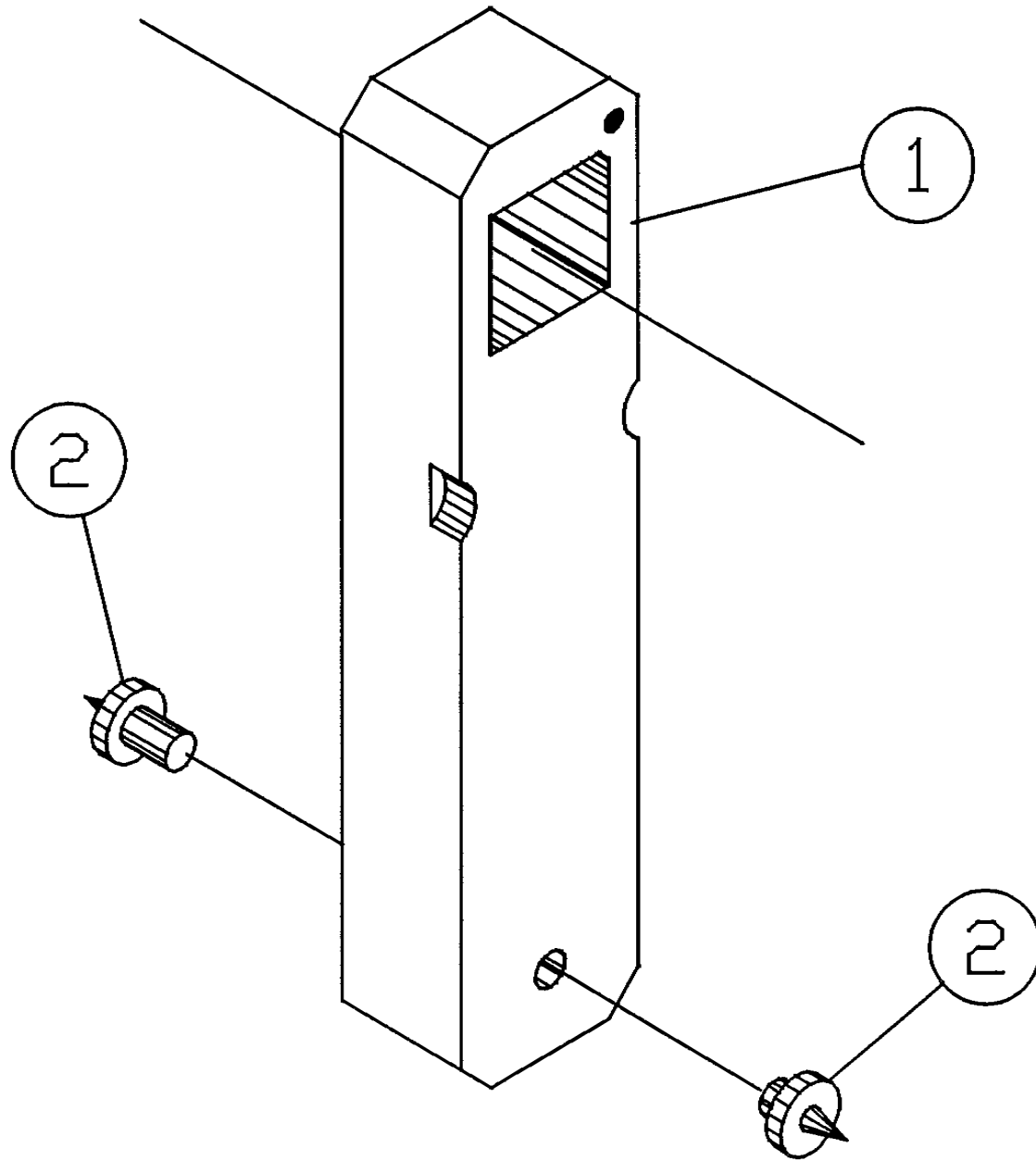
BOM15

Bill of Material for Assembly 821-2-100
Transport Wheels Alignment Tool

Revision :A Revision Date: 06-01-96 Effective As of: 06-01-96

ITEM	1...5...10	PART#.....	DESCRIPTION.....	QTY
1	1.....	N.S.S.	TRANSPORT WHEEL GAUGE BODY	1 EA
2	1.....	N.S.S.	TRANSPORT WHEEL GAUGE LOC. PT.	2 EA

N.S.S. = NOT SOLD SEPARATELY



GPD

Transport Wheels Alignment Tool No. 821-2-100



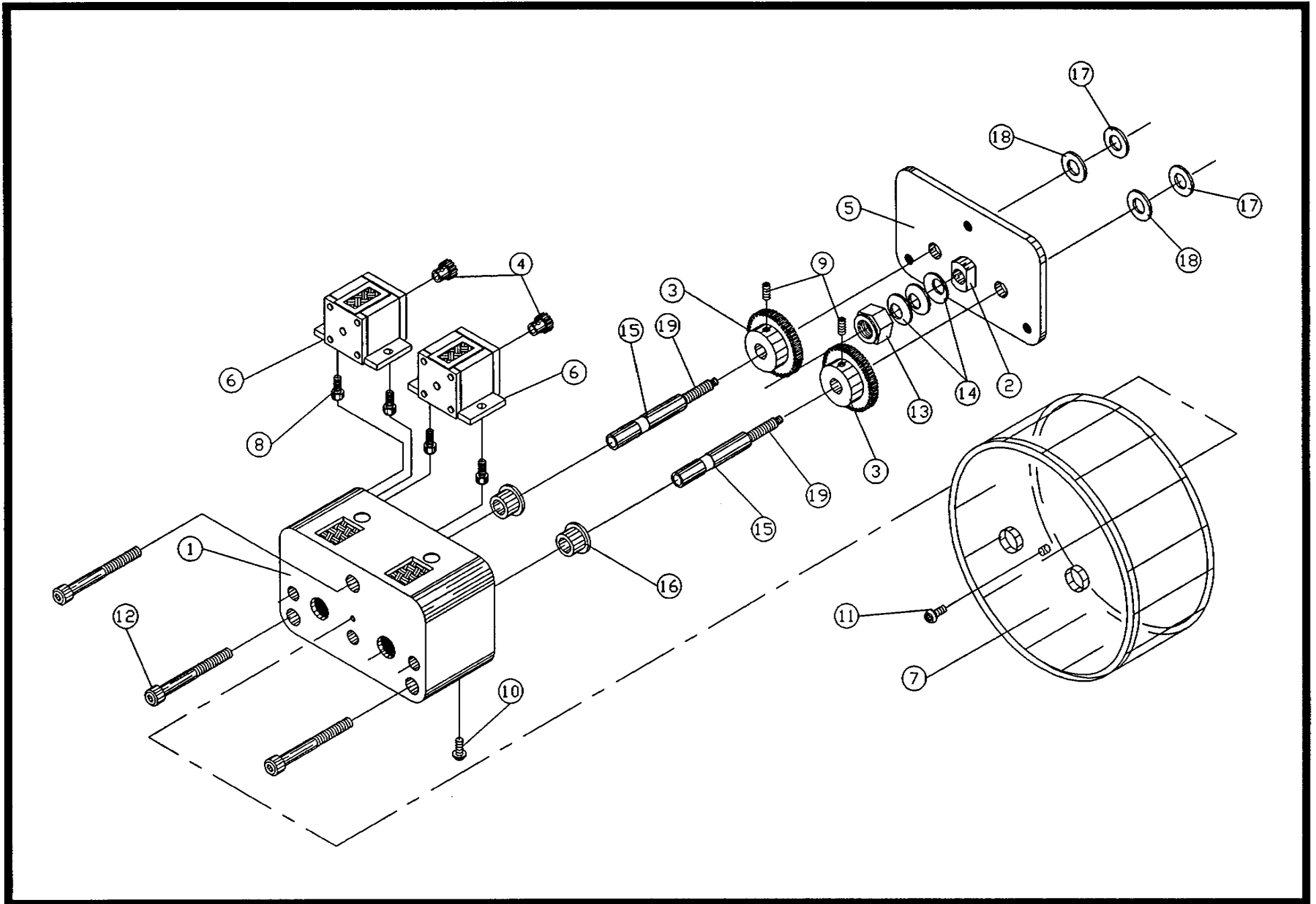
BOM15

Bill of Material for Assembly 825-1-114
Counter Box 2&3 Assembly

Revision :B Revision Date: 09-20-96 Effective As of: 09-20-96

ITEM	1...5...10	PART#.....	DESCRIPTION.....	QTY
1	1.....	825-1-1	COUNTER BOX (2&3)	1 EA
2	1.....	825-2-2	SPACER	1 EA
3	1.....	813-1-2	GEAR, SS	2 EA
4	1.....	813-1-1	GEAR, BRASS	2 EA
5	1.....	825-2-5	BACK PLATE	1 EA
6	1.....	825-3-5	V/R COUNTER 745835-001	2 EA
7	1.....	825-4-1	COUNTER SHIELD PLASTIC	1 EA
8	1.....	SABAN0440025	SCREW,ALLEN,BUTTON	AR EA
9	1.....	TACAN0632018	SET.A.CU.STL.	AR EA
10	1.....	M0009	BUTTON PLUG 245-019	8 EA
11	1.....	SACAN0440025	SCREW,ALLEN,CAP	AR EA
12	1.....	SACAN0832150	SCREW,ALLEN,CAP	AR EA
13	1.....	NSIA2520	NUT,NYLON INSERT	AR EA
14	1.....	S4001	WASHER B0500-018	AR EA
15	1.....	825-3-4	SHAFT EXTENSION	2 EA
16	1.....	00/0036	BUSHING,FLANGE,OILITE	2 EA
17	1.....	803-1-17	WASHER, HARDENED .025	2 EA
18	1.....	803-1-18	WASHER, BRASS .050 THICK	2 EA
19	1.....	TAFAN1032050	SET.A.FT.STL.	AR EA

N.S.S. = NOT SOLD SEPARATELY



GPD

Counter Box 2&3 Assembly No. 825-1-114

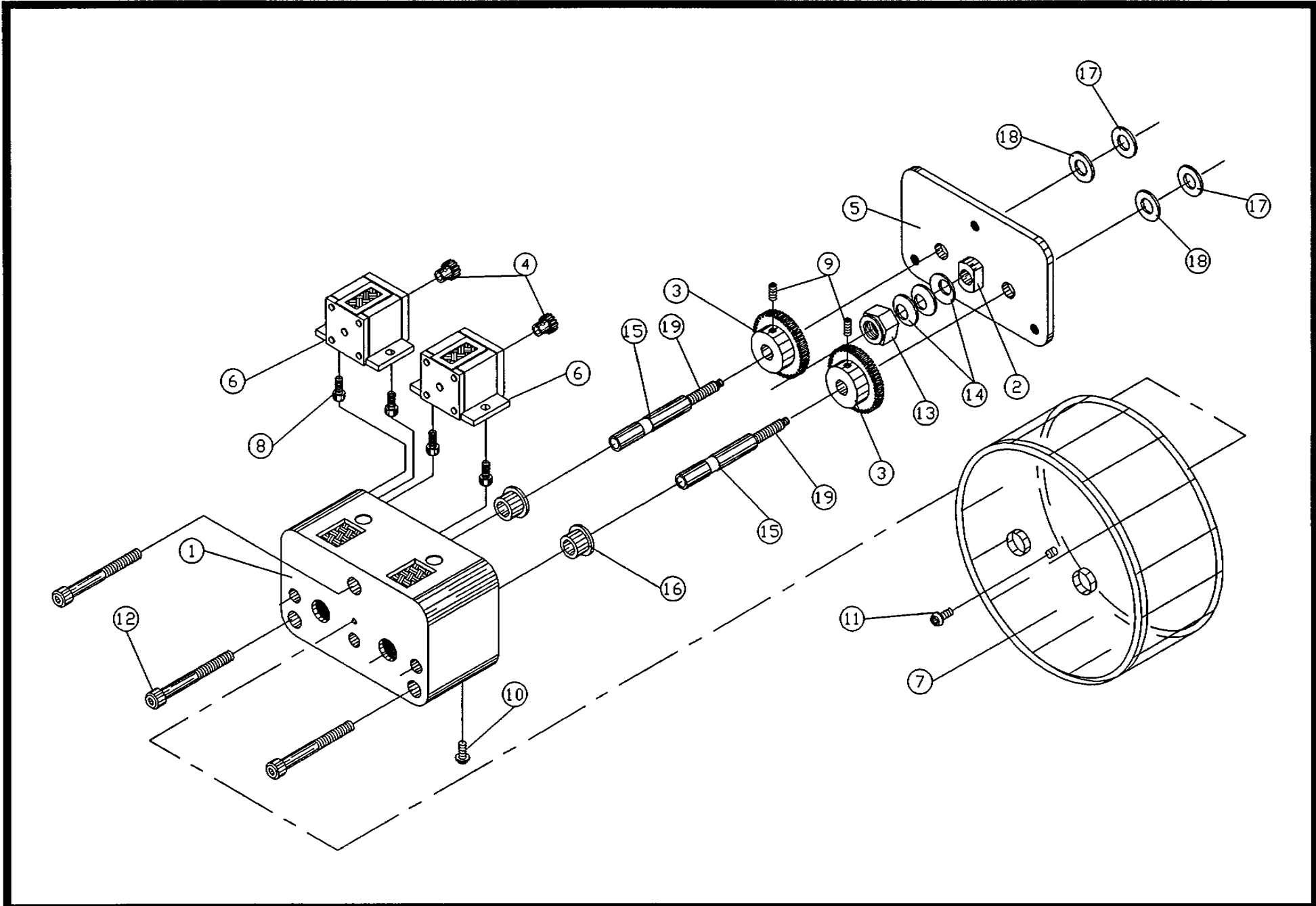


BOM15 Bill of Material for Assembly 825-1-114-MET
Counter Box 2&3 Metric Assembly

Revision :B Revision Date: 09-20-96 Effective As of: 09-20-96

ITEM	1...5...10	PART#.....	DESCRIPTION.....	QTY
1	1.....	825-1-1	COUNTER BOX (2&3)	1 EA
2	1.....	825-2-2	SPACER	1 EA
3	1.....	813-1-2M	GEAR LARGE METRIC	2 EA
4	1.....	813-1-1M	GEAR SMALL METRIC	2 EA
5	1.....	825-2-5	BACK PLATE	1 EA
6	1.....	825-3-5	V/R COUNTER 745835-001	2 EA
7	1.....	825-4-1	COUNTER SHIELD PLASTIC	1 EA
8	1.....	SABAN0440025	SCREW,ALLEN,BUTTON	AR EA
9	1.....	TACAN0632018	SET.A.CU.STL.	AR EA
10	1.....	M0009	BUTTON PLUG 245-019	8 EA
11	1.....	SACAN0440025	SCREW,ALLEN,CAP	AR EA
12	1.....	SACAN0832150	SCREW,ALLEN,CAP	AR EA
13	1.....	NSIA2520	NUT,NYLON INSERT	AR EA
14	1.....	S4001	WASHER 80500-018	AR EA
15	1.....	825-3-4	SHAFT EXTENSION	2 EA
16	1.....	00/0036	BUSHING,FLANGE,OILITE	2 EA
17	1.....	803-1-17	WASHER, HARDENED .025	2 EA
18	1.....	803-1-18	WASHER, BRASS .050 THICK	2 EA
19	1.....	TAFAN1032050	SET.A.FT.STL.	AR EA

N.S.S. = NOT SOLD SEPARATELY



GPD

Counter Box 2&3 Metric Assembly No. 825-1-114-MET



BOM15

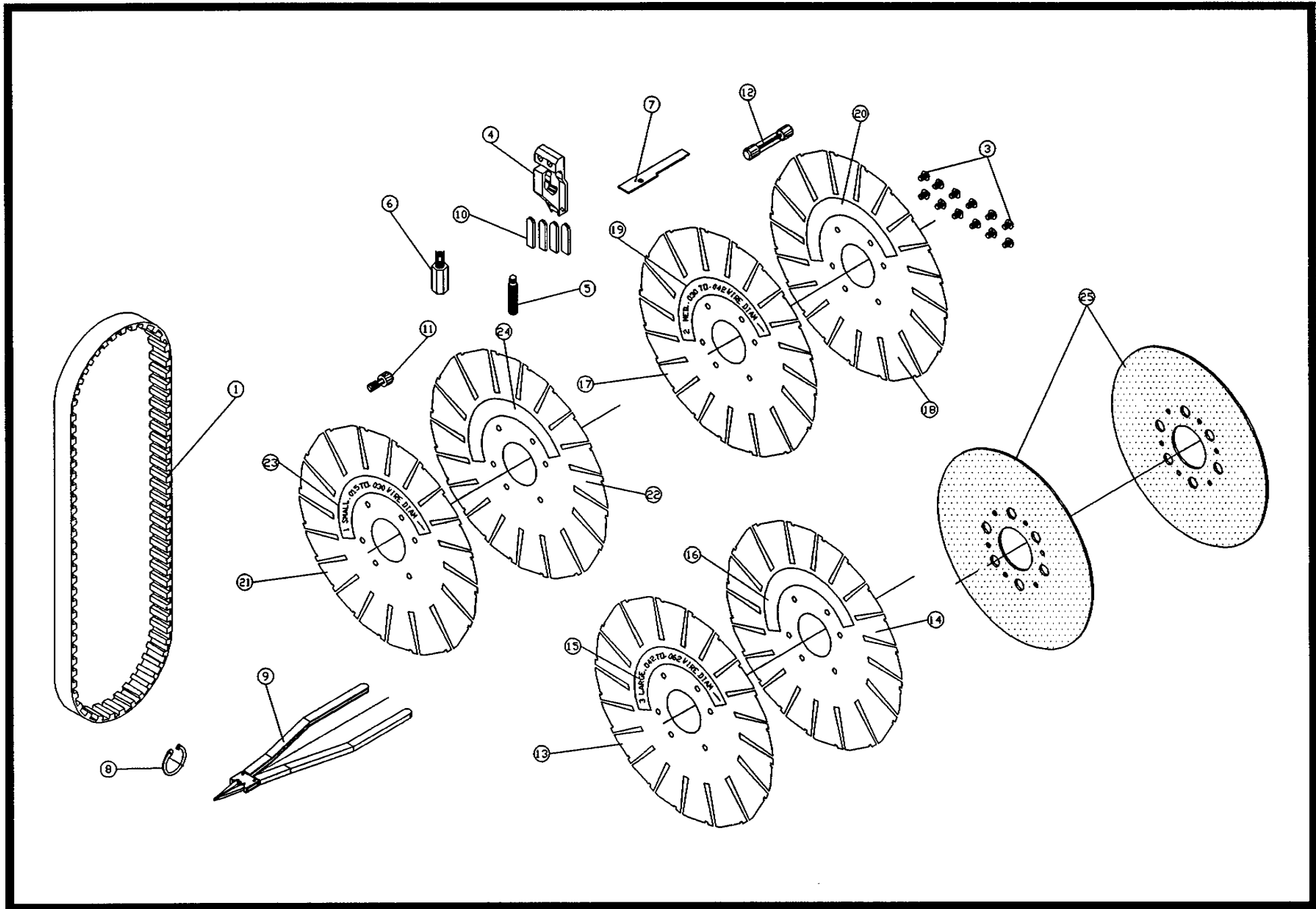
Bill of Material for Assembly 830-1-500
120V 60HZ CF8 Spare Parts Kit

Revision :A Revision Date: 09-20-96 Effective As of: 09-20-96

ITEM	1...5...10	PART#.....	DESCRIPTION.....	QTY
1	1.....	D0006	MOTOR BELT	1 EA
2	NOT APPLICABLE			
3	1.....	817-1-14	HOLDER SCREW	12 EA
4	1.....	801-1-9	WIRE CLAMP W/RED INSERT	2 EA
5	1.....	S5003	SPRING PLUNGER S52P	2 EA
6	1.....	S6002	VLIER WRENCH VW-52	1 EA
7	1.....	801-1-5	LEAF SPRING	16 EA
8	1.....	G1001	RETAINING RING 5100-12	AR EA
9	1.....	821-4-12	CIRCLIP PLIERS	1 EA
10	1.....	801-1-22	WIRECLAMP INSERT - RED	4 EA
11	1.....	801-1-19	PIN DIE SCREW	8 EA
12	1.....	4300-0011	FUSE,SLOW BLOW	1 EA
13	1.....	*	TRANSPT WHL SHIM LRG (L)	1 EA
14	1.....	*	TRANSPT WHL SHIM LRG (R)	1 EA
15	1.....	817-1-402-L	STICKER TRANSPORT WHEEL-LEFT	AR EA
16	1.....	817-1-402-R	STICKER TRANSPORT WHEEL-RIGHT	AR EA
17	1.....	**	TRANSPT WHL SHIM MED (L)	1 EA
18	1.....	**	TRANSPT WHL SHIM MED (R)	1 EA
19	1.....	817-1-401-L	STICKER TRANSPORT WHEEL-LEFT	AR EA
20	1.....	817-1-401-R	STICKER TRANSPORT WHEEL-RIGHT	AR EA
21	1.....	***	TRANSPT WHL SHIM SML (L)	1 EA
22	1.....	***	TRANSPT WHL SHIM SML (R)	1 EA
23	1.....	817-1-400-L	STICKER TRANSPORT WHEEL-LEFT	AR EA
24	1.....	817-1-400-R	STICKER TRANSPORT WHEEL-RIGHT	AR EA
25	1.....	817-1-3	WHEEL HOLDER	2 EA

- * SOLD IN PAIRS ONLY # 817-4-4L (817-4-4L-RUB IF WITH RUBBER PADS)
- ** SOLD IN PAIRS ONLY # 817-4-4M (817-4-4M-RUB IF WITH RUBBER PADS)
- *** SOLD IN PAIRS ONLY # 817-4-4S (817-4-4S-RUB IF WITH RUBBER PADS)

N.S.S. = NOT SOLD SEPARATELY



GPD

120V 60HZ CF8 Spare Parts Kit No. 830-1-500



BOM15

Bill of Material for Assembly 830-1-510
230V 50HZ CF8 Metric Spare Parts Kit

Revision :A Revision Date: 09-20-96 Effective As of: 09-20-96

ITEM	1...5...10	PART#.....	DESCRIPTION.....	QTY
1	1.....	D0006	MOTOR BELT	1 EA
2	NOT APPLICABLE			
3	1.....	817-1-14	HOLDER SCREW	12 EA
4	1.....	801-1-9	WIRE CLAMP W/RED INSERT	2 EA
5	1.....	S5003	SPRING PLUNGER S52P	2 EA
6	1.....	S6002	VLIER WRENCH VW-52	1 EA
7	1.....	801-1-5	LEAF SPRING	16 EA
8	1.....	G1001	RETAINING RING 5100-12	AR EA
9	1.....	821-4-12	CIRCLIP PLIERS	1 EA
10	1.....	801-1-22	WIRECLAMP INSERT - RED	4 EA
11	1.....	801-1-19	PIN DIE SCREW	8 EA
12	1.....	4300-0012	FUSE,SLOW BLOW	1 EA
13	1.....	*	TRANSPT WHL SHIM LRG (L)	1 EA
14	1.....	*	TRANSPT WHL SHIM LRG (R)	1 EA
15	1.....	817-1-402-L	STICKER,TRANSPORT WHEEL-LEFT	AR EA
16	1.....	817-1-402-R	STICKER,TRANSPORT WHEEL-RIGHT	AR EA
17	1.....	**	TRANSPT WHL SHIM MED (L)	1 EA
18	1.....	**	TRANSPT WHL SHIM MED (R)	1 EA
19	1.....	817-1-401-L	STICKER TRANSPORT WHEEL-LEFT	AR EA
20	1.....	817-1-401-R	STICKER TRANSPORT WHEEL-RIGHT	AR EA
21	1.....	***	TRANSPT WHL SHIM SML (L)	1 EA
22	1.....	***	TRANSPT WHL SHIM SML (R)	1 EA
23	1.....	817-1-400-L	STICKER TRANSPORT WHEEL-LEFT	AR EA
24	1.....	817-1-400-R	STICKER TRANSPORT WHEEL-RIGHT	AR EA
25	1.....	817-1-3	WHEEL HOLDER	2 EA

- * SOLD IN PAIRS ONLY # 817-4-4L (817-4-4L-RUB IF WITH RUBBER PADS)
- ** SOLD IN PAIRS ONLY # 817-4-4M (817-4-4M-RUB IF WITH RUBBER PADS)
- *** SOLD IN PAIRS ONLY # 817-4-4S (817-4-4M-RUB IF WITH RUBBER PADS)

N.S.S. = NOT SOLD SEPARATELY

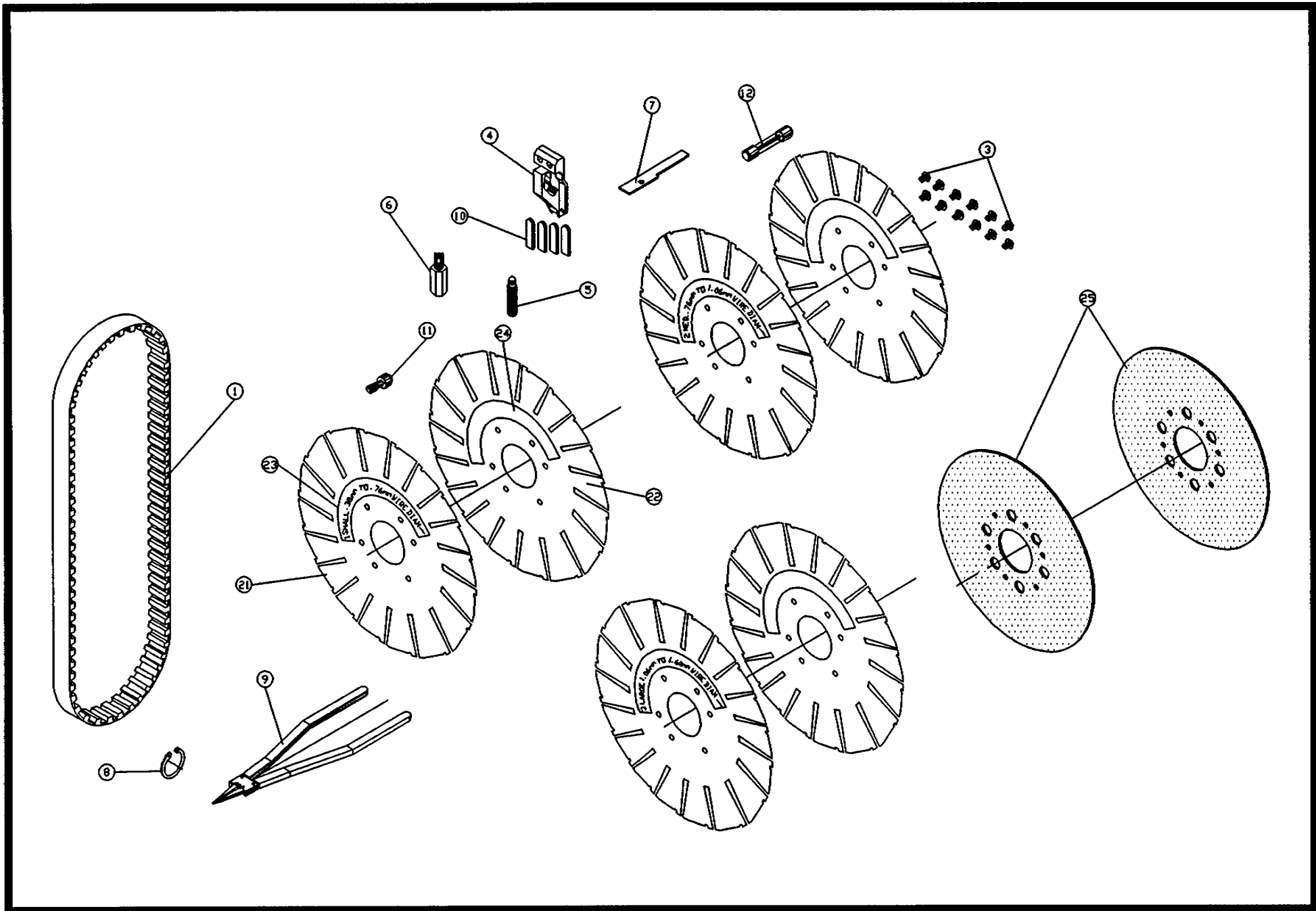
BOM15 Bill of Material for Assembly 830-1-520
100V 50HZ CF8 Metric Spare Parts Kit

Revision :A Revision Date: 09-20-96 Effective As of: 09-20-96

ITEM	1...5...10	PART#.....	DESCRIPTION.....	QTY
1	1.....	D0006	MOTOR BELT	1 EA
2	NOT APPLICABLE			
3	1.....	817-1-14	HOLDER SCREW	12 EA
4	1.....	801-1-9	WIRE CLAMP W/RED INSERT	2 EA
5	1.....	S5003	SPRING PLUNGER S52P	2 EA
6	1.....	S6002	VLIER WRENCH VW-52	1 EA
7	1.....	801-1-5	LEAF SPRING	16 EA
8	1.....	G1001	RETAINING RING 5100-12	AR EA
9	1.....	821-4-12	CIRCLIP PLIERS	1 EA
10	1.....	801-1-22	WIRECLAMP INSERT - RED	4 EA
11	1.....	801-1-19	PIN DIE SCREW	8 EA
12	1.....	4300-0011	FUSE, SLOW BLOW	1 EA
13	1.....	*	TRANSPT WHL SHIM LRG (L)	1 EA
14	1.....	*	TRANSPT WHL SHIM LRG (R)	1 EA
15	1.....	817-1-402-L	STICKER,TRANSPORT WHEEL-LT	AR EA
16	1.....	817-1-402-R	STICKER,TRANSPORT WHEEL-RT	AR EA
17	1.....	**	TRANSPT WHL SHIM MED (L)	1 EA
18	1.....	**	TRANSPT WHL SHIM MED (R)	1 EA
19	1.....	817-1-401-L	STICKER,TRANSPORT WHEEL-RT	AR EA
20	1.....	817-1-401-R	STICKER,TRANSPORT WHEEL-RT	AR EA
21	1.....	***	TRANSPT WHL SHIM SML (L)	1 EA
22	1.....	***	TRANSPT WHL SHIM SML (R)	1 EA
23	1.....	817-1-400-L	STICKER,TRANSPORT WHEEL-LT	AR EA
24	1.....	817-1-400-R	STICKER,TRANSPORT WHEEL-RT	AR EA
25	1.....	817-1-3	WHEEL HOLDER	2 EA

- * SOLD IN PAIRS ONLY # 817-4-4L (817-4-4L-RUB IF WITH RUBBER PADS)
- ** SOLD IN PAIRS ONLY # 817-4-4M (817-4-4M-RUB IF WITH RUBBER PADS)
- *** SOLD IN PAIRS ONLY # 817-4-4S (817-4-4M-RUB IF WITH RUBBER PADS)

N.S.S. = NOT SOLD SEPARATELY



GPD

100V 50HZ CF8 Metric Spare Parts Kit No. 830-1-520



BOM15

Bill of Material for Assembly 830-1-530
230V 50HZ CF8 Spare Parts Kit

Revision :A Revision Date: 09-20-96 Effective As of: 09-20-96

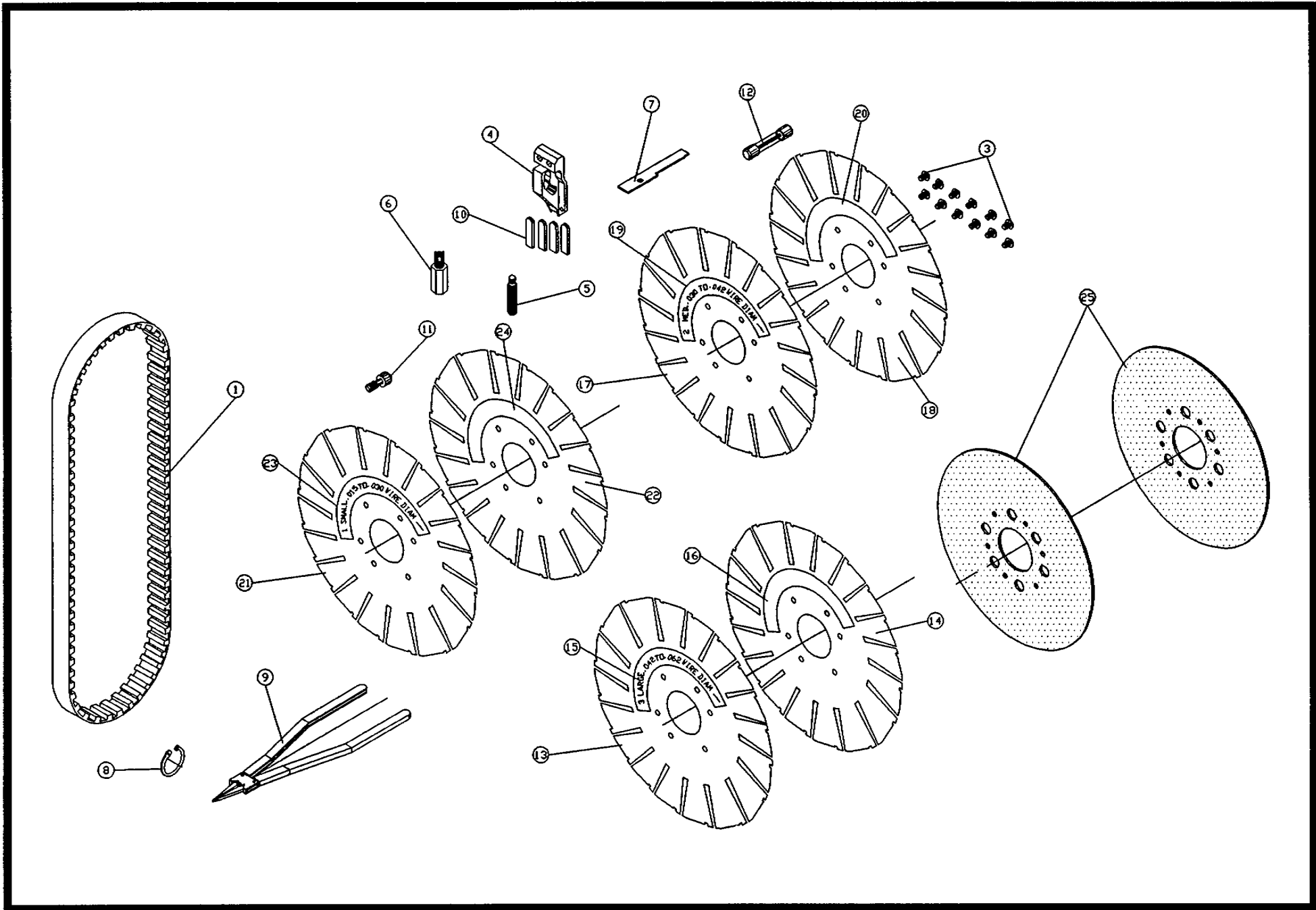
ITEM	1...5...10	PART#.....	DESCRIPTION.....	QTY
1	1.....	D0006	MOTOR BELT	1 EA
2	NOT APPLICABLE			
3	1.....	817-1-14	HOLDER SCREW	12 EA
4	1.....	801-1-9	WIRE CLAMP W/RED INSERT	2 EA
5	1.....	S5003	SPRING PLUNGER S52P	2 EA
6	1.....	S6002	VLIER WRENCH VW-52	1 EA
7	1.....	801-1-5	LEAF SPRING	16 EA
8	1.....	G1001	RETAINING RING 5100-12	AR EA
9	1.....	821-4-12	CIRCLIP PLIERS	1 EA
10	1.....	801-1-22	WIRECLAMP INSERT - RED	4 EA
11	1.....	801-1-19	PIN DIE SCREW	8 EA
12	1.....	4300-0012	FUSE,SLOW BLOW	1 EA
13	1.....	*	TRANSP WHL SHIM LRG (L)	1 EA
14	1.....	*	TRANSP WHL SHIM LRG (R)	1 EA
15	1.....	817-1-402-L	STICKER,TRANSPORT WHEEL-LT	AR EA
16	1.....	817-1-402-R	STICKER,TRANSPORT WHEEL-RT	AR EA
17	1.....	**	TRANSP WHL SHIM MED (L)	1 EA
18	1.....	**	TRANSP WHL SHIM MED (R)	1 EA
19	1.....	817-1-401-L	STICKER,TRANSPORT WHEEL-RT	AR EA
20	1.....	817-1-401-R	STICKER,TRANSPORT WHEEL-RT	AR EA
21	1.....	***	TRANSP WHL SHIM SML (L)	1 EA
22	1.....	***	TRANSP WHL SHIM SML (R)	1 EA
23	1.....	817-1-400-L	STICKER,TRANSPORT WHEEL-LT	AR EA
24	1.....	817-1-400-R	STICKER,TRANSPORT WHEEL-RT	AR EA
25	1.....	817-1-3	WHEEL HOLDER	2 EA

* SOLD IN PAIRS ONLY # 817-4-4L (817-4-4L-RUB IF WITH RUBBER PADS)

** SOLD IN PAIRS ONLY # 817-4-4M (817-4-4M-RUB IF WITH RUBBER PADS)

*** SOLD IN PAIRS ONLY # 817-4-4S (817-4-4S-RUB IF WITH RUBBER PADS)

N.S.S. = NOT SOLD SEPARATELY



GPD

230V 50HZ CF8 Spare Parts Kit No. 830-1-530



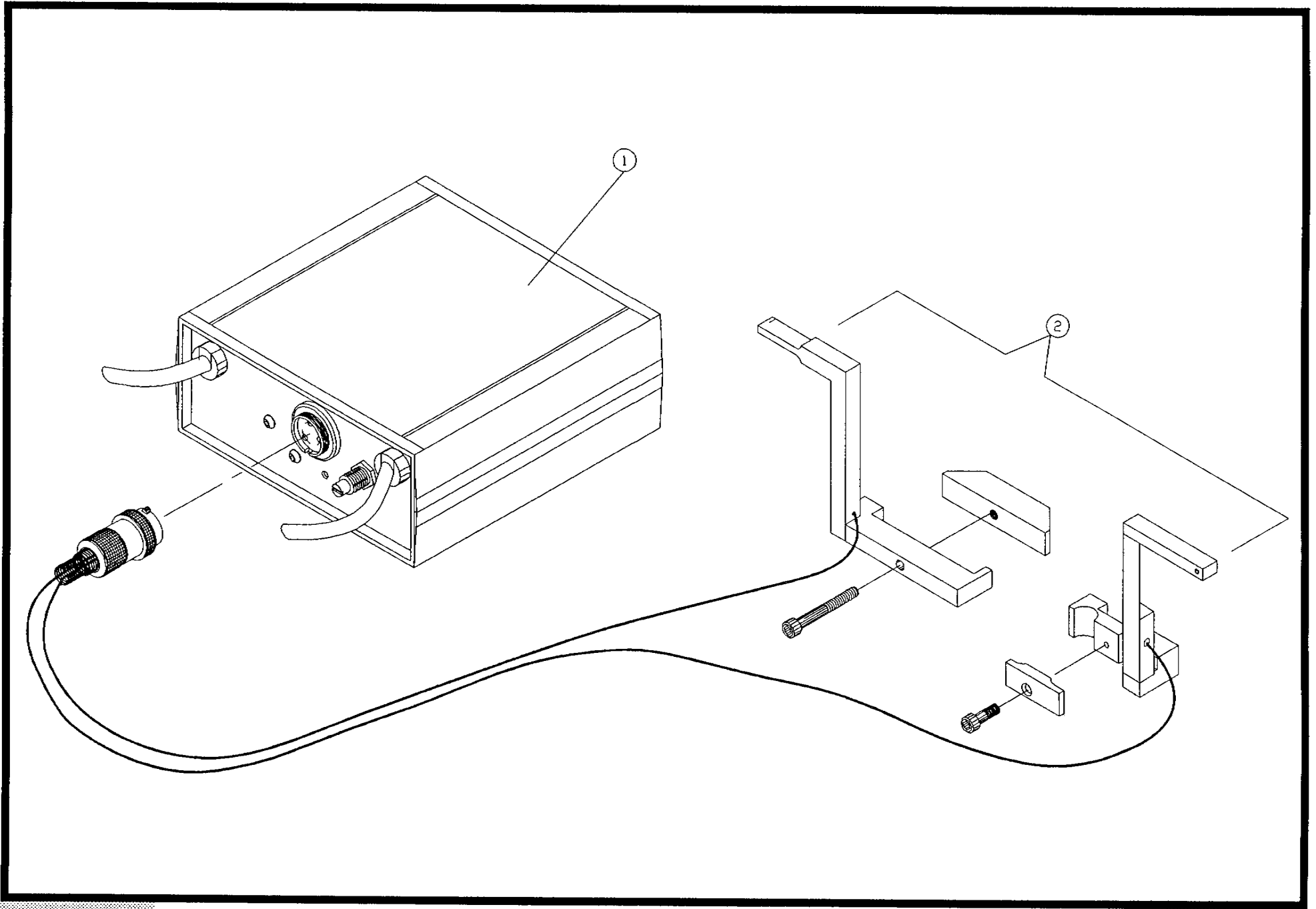
BOM15

Bill of Material for Assembly 830-1-600
120V 50/60HZ CF8 Counter Package

Revision :A Revision Date: 08-26-96 Effective As of: 08-26-96

ITEM	1...5...10	PART#.....	DESCRIPTION.....	QTY
1	1.....	CC789-1	PRESET COUNTER-120V	1 EA
2	1.....	821-1-100	CF8 COUNTER BRACKET ASSY	1 EA
3	1.....	830-1-601	PROCEDURE,COUNTER INSTALL	1 EA

N.S.S. = NOT SOLD SEPARATELY



GPD

120V 50/60HZ CF8 Counter Package No. 830-1-600

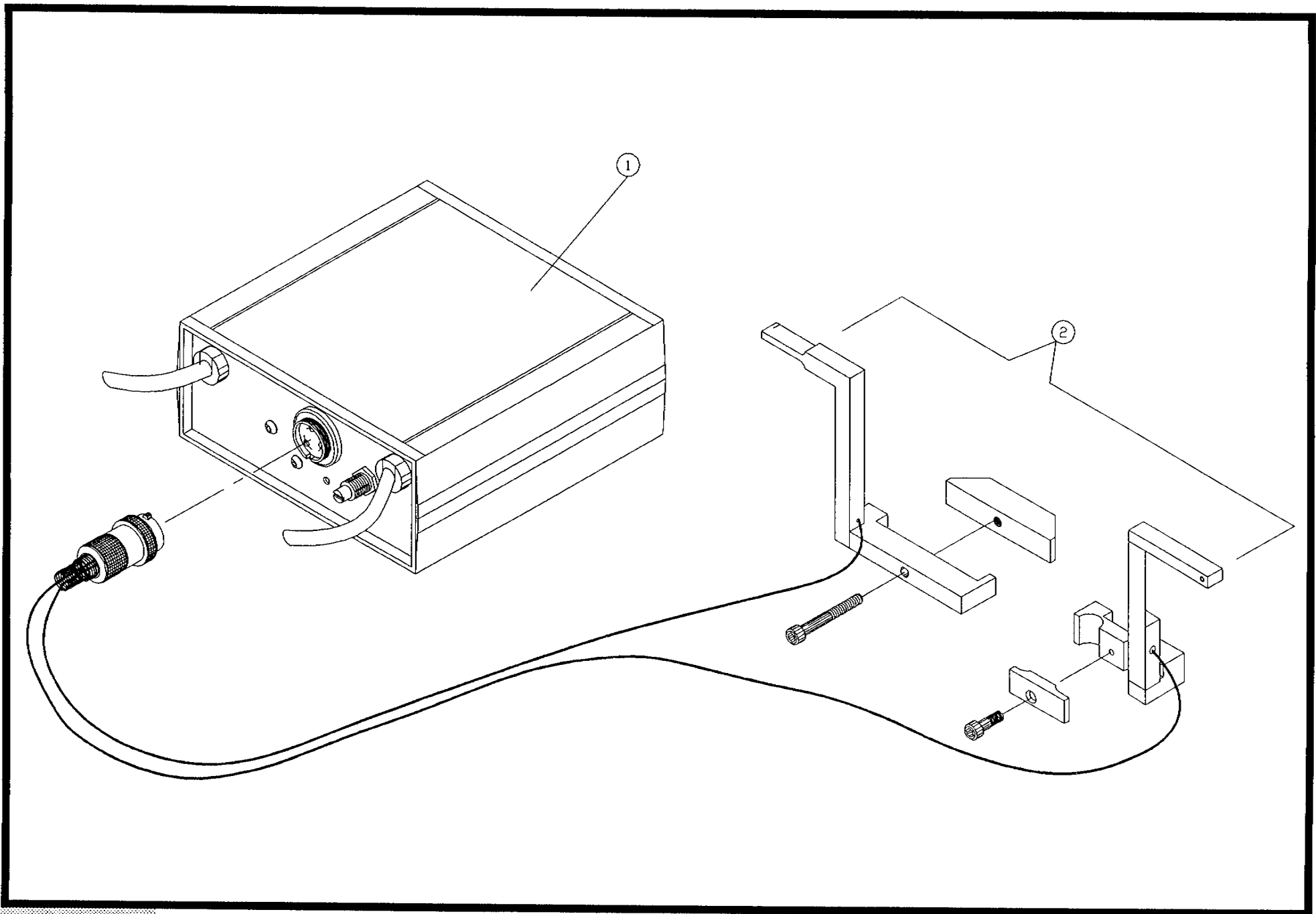


BOM15 Bill of Material for Assembly 830-1-610
 230V 50HZ CF8 Counter Package

Revision :A Revision Date: 08-26-96 Effective As of: 08-26-96

ITEM	1...5...10	PART#.....	DESCRIPTION.....	QTY
1	1.....	CC789-2	PRESET COUNTER-230V	1 EA
2	1.....	821-1-100	CF8 COUNTER BRACKET ASSY	1 EA
3	1.....	830-1-601	PROCEDURE,COUNTER INSTALL	1 EA

N.S.S. = NOT SOLD SEPARATELY



GPD

230V 50HZ CF8 Counter Package No. 830-1-610

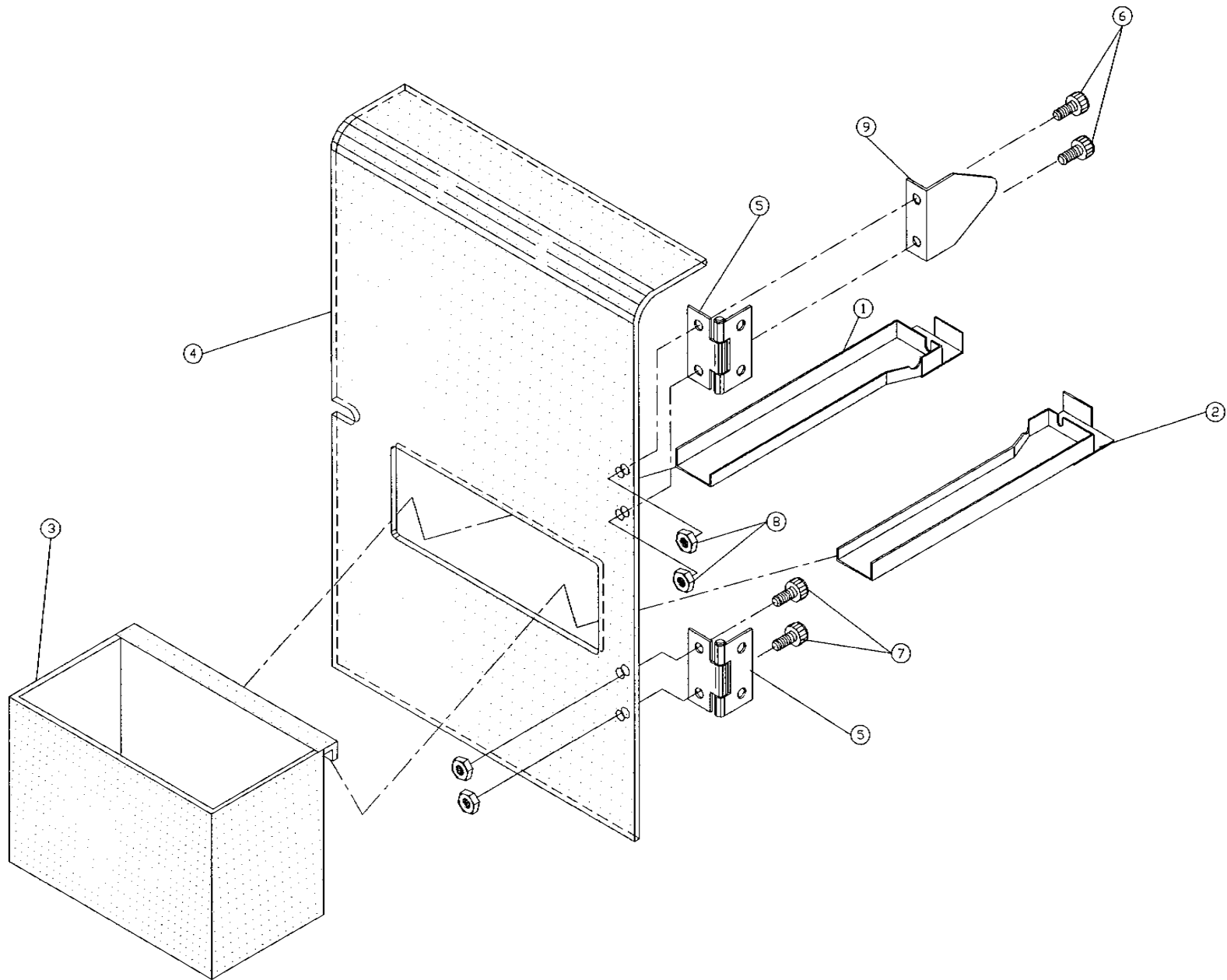


BOM15 Bill of Material for Assembly 830-700
CF8 Secondary Exit Package

Revision :A Revision Date: 08-27-96 Effective As of: 08-27-96

ITEM	1...5...10	PART#.....	DESCRIPTION.....	QTY
1	1.....	820-0-4L	CHUTE.SECONDARY.EXIT.LEFT	1 EA
2	1.....	820-0-4R	CHUTE.SECONDARY.EXIT.RGHT	1 EA
3	1.....	711-1	SCRAP BIN	1 EA
4	1.....	819-1-1EA	ANTISTATIC SAFETY SHIELD	1 EA
5	1.....	HG-210	HINGE, SAFETY GUARD	2 EA
6	1.....	SACAN1032050	SCREW,ALLEN,CAP	AR EA
7	1.....	SABAN1032037	SCREW,ALLEN,BUTTON	AR EA
8	1.....	NSNA1032	NUT	AR EA
9	1.....	810-4-2A	MICROSWITCH BRACKET	1 EA

N.S.S. = NOT SOLD SEPARATELY



GPD

CF8 Secondary Exit Package No. 830-700



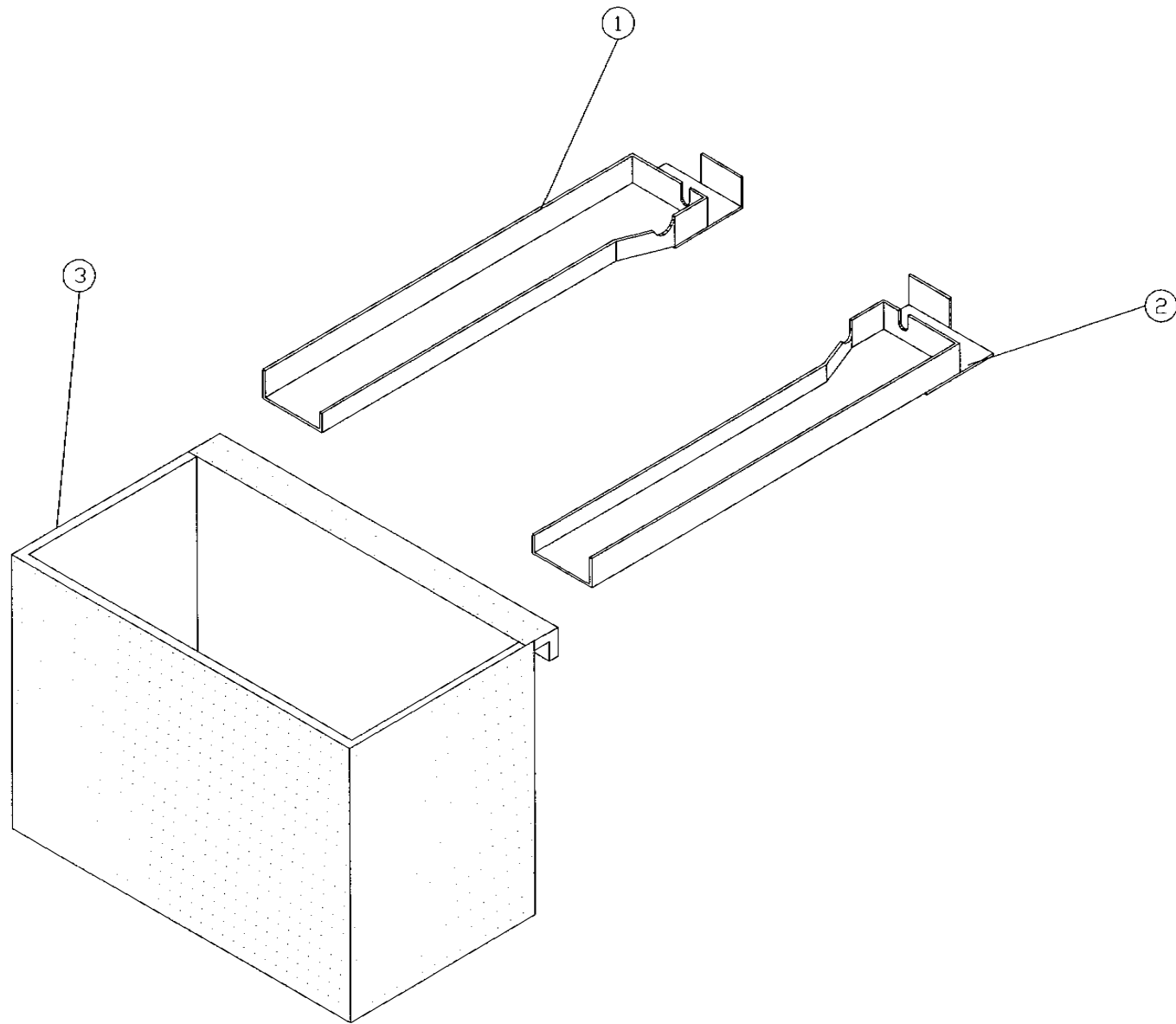
BOM15

Bill of Material for Assembly 830-705
CF8 Secondary Exit Option

Revision :A Revision Date: 08-27-96 Effective As of: 08-27-96

ITEM	1...5...10	PART#.....	DESCRIPTION.....	QTY
1	1.....	820-0-4L	CHUTE.SECONDARY.EXIT.LEFT	1 EA
2	1.....	820-0-4R	CHUTE.SECONDARY.EXIT.RGHT	1 EA
3	1.....	711-1	SCRAP BIN	1 EA

N.S.S. = NOT SOLD SEPARATELY



GPD

CF8 Secondary Exit Option No. 830-705



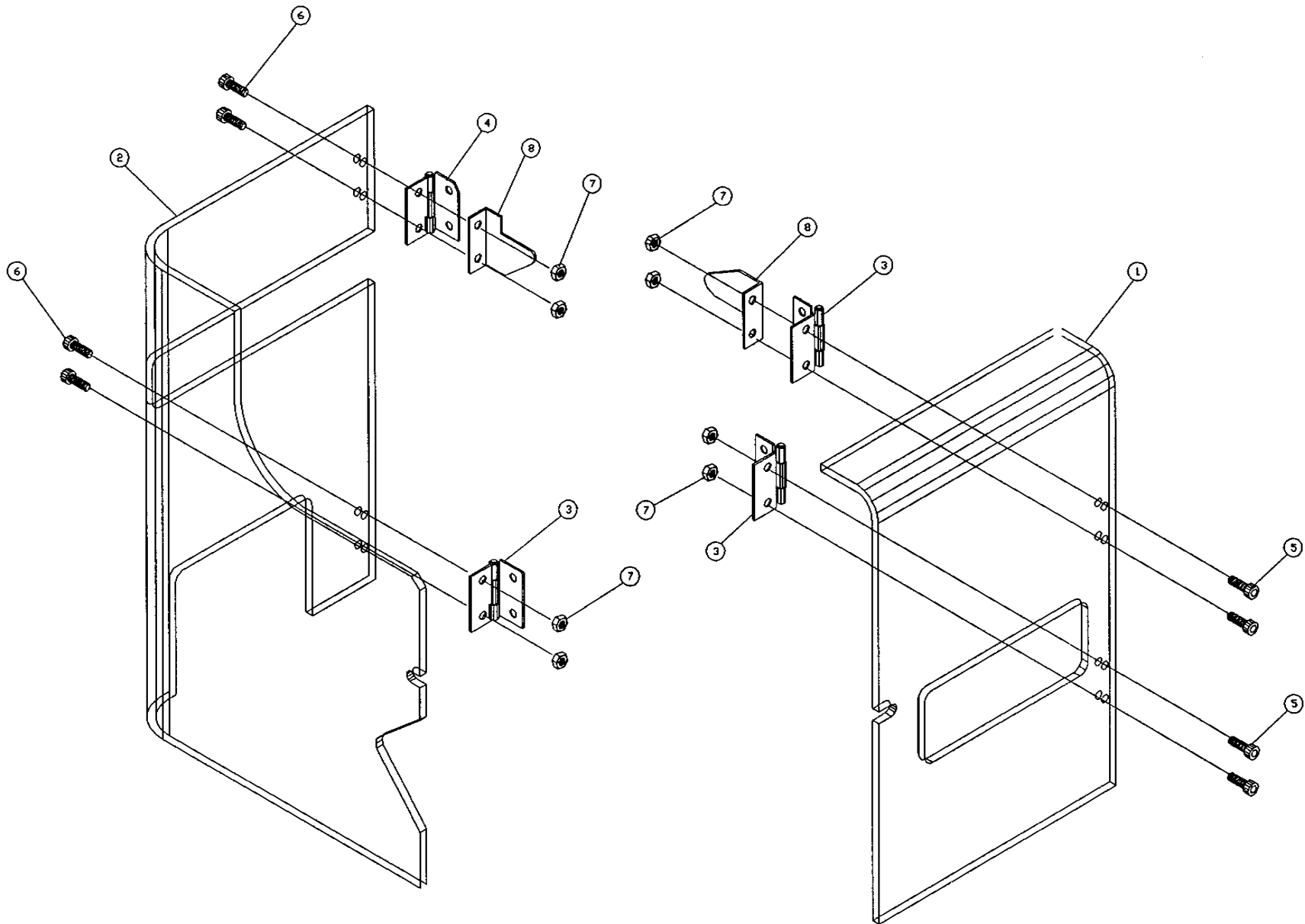
BOM15

Bill of Material for Assembly 830-1-720
CF8 Antistatic Shield Package

Revision :A Revision Date: 08-27-96 Effective As of: 08-27-96

ITEM	1...5...10	PART#.....	DESCRIPTION.....	QTY
1	1.....	819-1-1EA	ANTISTATIC SAFETY SHIELD	1 EA
2	1.....	819-1-3EA	ANTISTATIC SAFETY SHIELD	1 EA
3	1.....	HG-210	HINGE, SAFETY GUARD	3 EA
4	1.....	819-1-5	HINGE - SAFETY GUARD	1 EA
5	1.....	SACAN1032050	SCREW,ALLEN,CAP	AR EA
6	1.....	SABAN1032037	SCREW,ALLEN,BUTTON	AR EA
7	1.....	NSNA1032	NUT	AR EA
8	1.....	810-4-2A	MICROSWITCH BRACKET	2 EA

N.S.S. = NOT SOLD SEPARATELY



GPD

CF8 Antistatic Shield Package No. 830-1-720

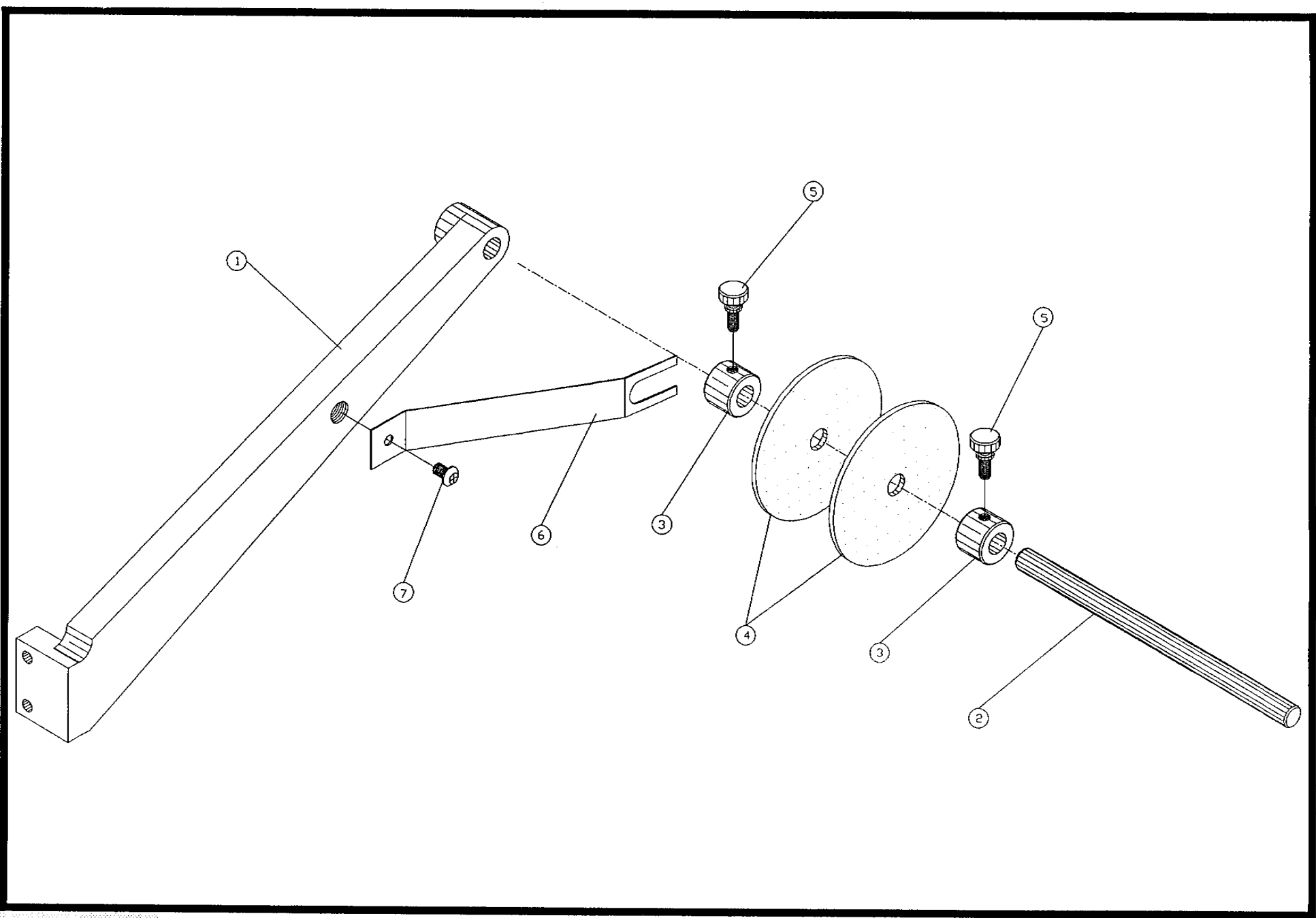


BOM15 **Bill of Material for Assembly 707-107**
 Reel Holder

Revision :A Revision Date: 08-27-90 Effective As of: 08-27-90

ITEM	1...5...10	PART#.....	DESCRIPTION.....	QTY
1	1.....	707-1	REEL AND TAPE ARM	1 EA
2	1.....	707-3	SPINDLE - REEL & TAPE KIT	1 EA
3	1.....	707-4	LOCKING COLLAR R&T KIT	2 EA
4	1.....	707-A	ALUMINUM WASHER R&T KIT	2 EA
5	1.....	707-B	THUMB SCREW	2 EA
6	1.....	707-F	SPRING R&T KIT	1 EA
7	1.....	SABSN2520037	SCR.A.BN.SST.1/4-20X3/8	AR EA

N.S.S. = NOT SOLD SEPARATELY



GPD

REEL HOLDER

ASSY - 707 - 107

