

Jetting Pump for Retrofit/Integration

NCM5000 Jetting Pump for High Speed Dispensing

Applications: SMT Glue, Fluxes, UV Curables, LED Encapsulants, and more

Upgrade your existing high maintenance jetting pump to GPD Global's reliable, high speed, easy to set up and clean, pneumatic pump. This pump has only two wetted parts for easy upkeep. It reduces consumable costs, cleaning time, and frees your resources for the next project.

Easy Cleaning & Maintenance

The *NCM5000 Jetting Pump* simplifies jetting to its basic elements: hammer, pin, and nozzle. Only the pin and nozzle are wetted parts. This means easy set up, cleaning, and upkeep. The pump can be disassembled for cleaning in a matter of seconds.

The drive system, being pneumatic, is designed for reliable, high speed operation and requires no maintenance or calibration.

Upgrade to Jetting Benefits

Don't have a jetting pump? Would you like to enjoy the benefits that jetting has to offer? Add a versatile and powerful Jetting Pump to your existing dispense technology.

Because a jetting pump dispenses from a height of 2-3 mm above the surface, wavy surfaces no longer impact dispense quality. Plus, throughput increases as Z-Axis motion commonly associated with traditional needle dispensing is eliminated.

Configurations

Two NCM5000 configurations are available:

- **Direct Integration** - directly replaces your high maintenance jet pump with an efficient and simplified NCM5000 Jetting Pump.
- **Programmable Controller Integration** - includes a pump and programmable controller.

(3D models of pump, controller, and mounting hardware are available for design purposes.)

~ Direct Integration Configuration

For some 3rd party systems, direct integration of an NCM5000 Jetting Pump may be possible. Your existing software and programming methods still apply, making this the easiest integration method - just swap pumps. Ask GPD Global if your system is compatible with our direct integration configuration.



Direct Integration of Jetting Pump

Direct Integration Configuration

Included:

- NCM5000 Jetting Pump Kit
- Compatible Mounting Hardware
- Compatible Electrical and Air Connections

~ Programmable Controller Integration Configuration

For enhanced dispensing when direct integration is not possible, use our complete offline kit. This kit includes an NCM5000 Jetting Pump, programmable controller, and cabling configurable to suit your system needs. You just supply power, air, and an on/off signal.



GPD Global
Precision Dispensing Systems

www.gpd-global.com • request@gpd-global.com

NCM5000 Jetting Pump Integration

Programmable Controller Integration Configuration

includes:

- NCM5000 Jetting Pump Kit
- Programmable Controller with heat and air settings
- Interface Cables (configurable length):
 - controller-to-pump
 - controller-to-external system

NCM5000 Jetting Pump Kit

includes:

All configurations include this kit.

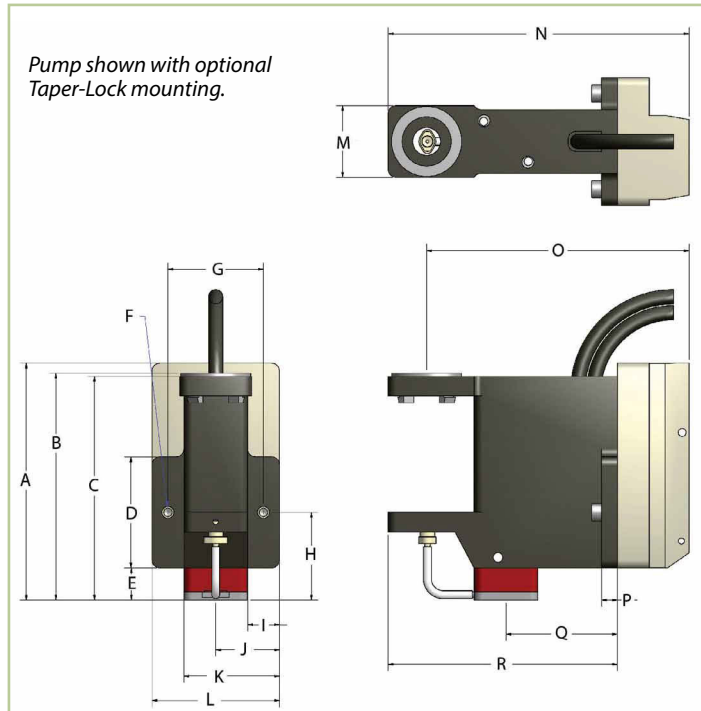
- NCM5000 Jetting Pump with Nozzle Heater
- 1 x Diaphragm
- 1 x Nozzle Plate with Insert
- 30 x Feed Tubes
- 25 x Cleaning Brushes

Dimensions, Specifications, Requirements

Dimensions

The NCM5000 Jetting Pump can be mounted to a variety of robots when X-Y-Z motion is desired. It can also be mounted rigidly over a transporting mechanism like a conveyor belt or shuttle table.

Dimensions may vary with configuration. Contact GPD for 3D models for integration layout purposes.



Specifications

NCM5000 JETTING PUMP	
Dimensions*, approx. (W x D x H)	50.80 mm x 116.21 mm x 94.49 mm (2.00" x 4.58" x 3.72")
Cable Length	685.8 mm (27")
* Contact GPD Global for 3D models for integration layout purposes.	

PROGRAMMABLE CONTROLLER	
Dimensions (W x D x H)	254 mm x 341 mm x 152 mm (10.00" x 13.44" x 6.00")
Trigger Signal	Pull to ground
Input Air Pressure (max)	116 psi
Output Air Pressure (max)	80 psi
Programs	6, Selectable
User Interface	HMI or Computer
Cable (standard) to Pump	1.5 meters

Integration Requirements

THIRD PARTY DISPENSE SYSTEM	
System Type (Manufacturer):	This is the information we need from you for successful pump integration.
System Model:	
Control Type:	
Electrical Connector Type: (Only for Direct Integration)	

ITEM	DIMENSION
A	94.49 mm (3.72")
B	90.42 mm (3.56")
C	89.15 mm (3.51")
D	44.20 mm (1.74")
E	12.95 mm (0.51")

ITEM	DIMENSION
F	2X Ø 0.188" through (mounting without Taper Lock)
G	38.10 mm (1.50")
H	34.93 mm (1.375")
I	12.70 mm (0.500")

ITEM	DIMENSION
J	25.40 mm (1.00")
K	38.10 mm (1.50")
L	50.80 mm (2.00")
M	28.58 mm (1.125")
N	116.21 mm (4.575")

ITEM	DIMENSION
O	101.09 mm (3.98")
P	6.35 mm (0.25")
Q	44.45 mm (1.75")
R	91.44 mm (3.60")



www.gpd-global.com • request@gpd-global.com

Headquarters 611 Hollingsworth Street, Grand Junction, CO 81505 USA • T: +1.970.245.0408 • F: +1.970.245.9674

GPD Global (Asia Pacific) Bayan Lepas, Penang, 11900 Malaysia • T: +60.12.555.0909

Rev Oct 2017