

Jetting Pump for 3rd Party Integration

NCM5000 Jetting Pump Integration into Third Party Dispense System

Applications: SMT Glue, Fluxes, UV Curables, LED Encapsulants, and more

Upgrade your existing high maintenance jetting pump to GPD Global's reliable, high speed, easy to set up and clean, pneumatic pump. This pump has only two wetted parts for easy upkeep. It reduces consumable costs, cleaning time, and frees your resources for the next project.

Easy Cleaning & Maintenance

The *NCM5000 Jetting Pump* simplifies jetting to its basic elements: hammer, pin, and nozzle. Only the pin and nozzle are wetted parts. This means easy set up, cleaning, and upkeep. The pump can be disassembled for cleaning in a matter of seconds. The drive system, being pneumatic, is designed for reliable, high speed operation and requires no maintenance or calibration.

Upgrade to Jetting Benefits

Don't have a jetting pump? Would you like to enjoy the benefits that jetting has to offer? Add a versatile and powerful Jetting Pump to your existing dispense technology.

Because a jetting pump dispenses from a height of 2-3 mm above the surface, wavy surfaces no longer impact dispense quality. Plus, throughput increases as Z-Axis motion commonly associated with traditional needle dispensing is eliminated.

Integration Requirements

System Type (Manufacturer): _____

System Model: _____

Control Type: _____

Electrical Connector Type: _____

For direct integration only

Configurations

Two NCM5000 configurations are available. One directly replaces your high maintenance jet pump with an efficient and simplified NCM5000 Jetting Pump. The other includes a pump and programmable controller.

Direct Integration.

For some 3rd party systems, direct integration of an NCM5000 Jetting Pump may be possible. Your existing software and programming methods still apply, making this the easiest integration method - just swap pumps. Ask GPD Global if your system is compatible with our direct integration configuration.

Programmable Controller Integration.

For enhanced dispensing when direct integration is not possible, use our complete offline kit. This kit includes an NCM5000 Jetting Pump, programmable controller, and cabling configurable to suit your system needs. You just supply power, air, and an on/off signal.

Programmable Controller Details

- Trigger Signal: Pull to ground
- Air Input: 80 psi
- Output: Ready Signal
- Programs: 6, Selectable
- User Interface: HMI or Computer



NCM5000 Jetting Pump Integration

Integration Configuration Choices

All configurations listed below include the NCM5000 Jetting Pump kit.

NCM5000 Jetting Pump Kit includes:

- NCM5000 Jetting Pump with Nozzle Heater
- 1 x Diaphragm
- 1 x Nozzle Plate with Insert
- 30 x Feed Tubes
- 25 x Cleaning Brushes



Direct Integration Configuration includes:

- NCM5000 Jetting Pump Kit (see above)
- Compatible Mounting Hardware
- Compatible Electrical and Air Connections



Direct Integration of NCM5000 Jetting Pump

Programmable Controller Integration Configuration includes:

- NCM5000 Jetting Pump Kit (see above)
- Programmable Controller with heat and air settings
- Interface Cables (configurable length):
 - controller-to-pump
 - controller-to-external system

Programmable Controller Integration NCM5000 Jetting Pump Kit & Controller



Programmable Controller - front and rear



NCM5000 Jetting Pump Integration

Drawings & Dimensions

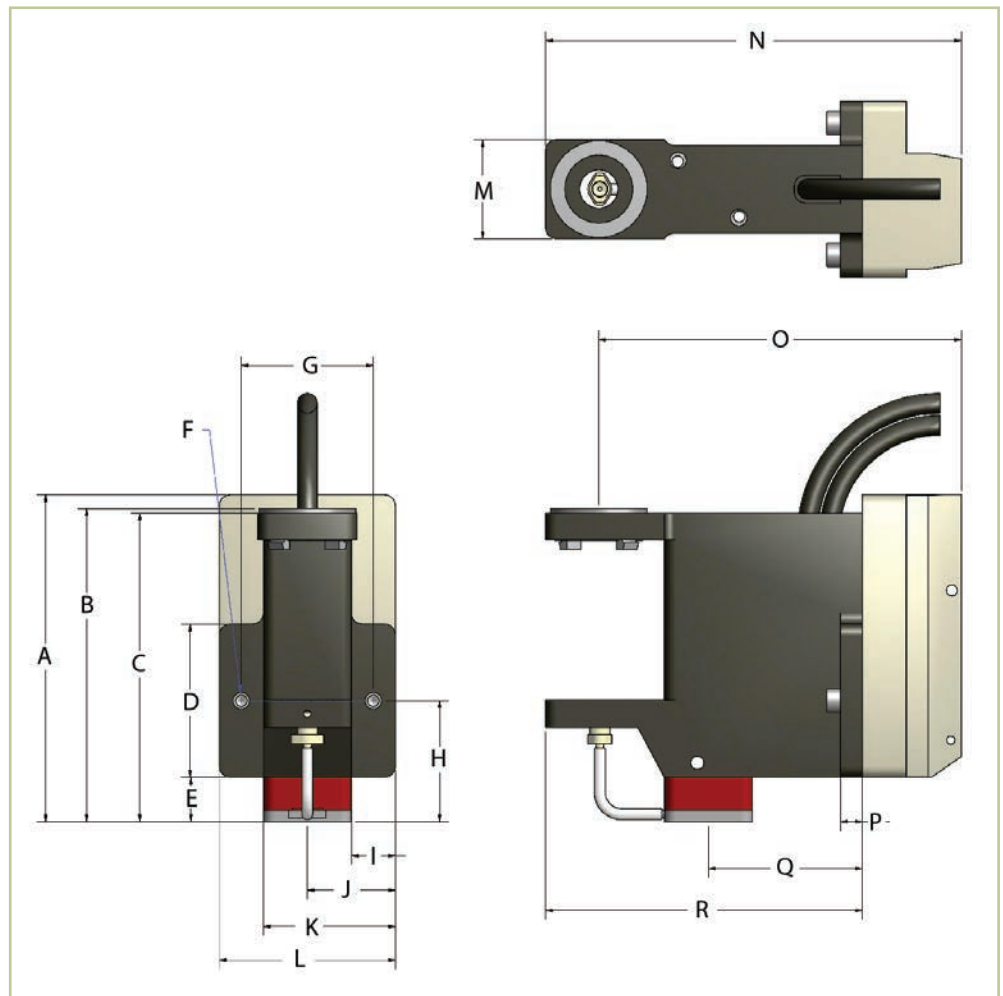
3D models available.

The NCM5000 Jetting Pump can be mounted to a variety of robots when X-Y-Z motion is desired. It can also be mounted rigidly over a transporting mechanism like a conveyor belt or shuttle table.

Dimensions

May vary with configuration.

ITEM	DIMENSION
A	94.49 mm (3.72")
B	90.42 mm (3.56")
C	89.15 mm (3.51")
D	44.20 mm (1.74")
E	12.95 mm (0.51")
F	2X Ø 0.188 through (mounting without Taper Lock)
G	38.10 mm (1.50")
H	34.93 mm (1.375")
I	12.70 mm (0.500")
J	25.40 mm (1.00")
K	38.10 mm (1.50")
L	50.80 mm (2.00")
M	28.58 mm (1.125")
N	116.21 mm (4.575")
O	101.09 mm (3.98")
P	6.35 mm (0.25")
Q	44.45 mm (1.75")
R	91.44 mm (3.60")



Pump shown with optional Taper-Lock mounting.